



*Manufacturers of Process
Controls and Instrumentation*

Instruction Manual

Model: *ANC-8*

Function: *8 Point Annunciator with Audible Alarm*

Input: ■ 8 'Dry' Contacts

Serial #: _____

(If special or required)

For Technical Assistance And Questions Call
USA: (231) 788-2900 CANADA: (905) 660-5336

Restocking Policy

All product returned to Pribusin Inc. in prime condition (not damaged, scratched or defaced in any way) within seven (7) months from the original date of shipment is subject to a 50% restocking charge. All product must be accompanied by a Return Authorization number (RA number) which must be obtained from Pribusin Inc. prior to returning any product.

After seven (7) months from the original date of shipment, products cannot be returned for restocking.

Custom designed products, modified products or all non-standard products may not be returned for restocking.

Warranty Policy

Pribusin Inc. warrants equipment of its own manufacture to be free from defects in material and workmanship, under normal conditions of use and service, and will replace any component found to be defective, on its return to Pribusin Inc., transportation charges prepaid, within one year of its original purchase. Pribusin Inc. will extend the same warranty protection on equipment, peripherals and accessories which is extended to Pribusin Inc. by the original manufacturer. Pribusin Inc. also assumes noliability, expressed or implied, beyond its obligation to prelace any component involved. Such warranty is in lieu of all other warranties, expressed or implied.



Standard Features:

- Standard Dry Contact Inputs
- First Alarm Lock-out
- Audible Alarm with Silence Button
- No Calibration or Setup Required
- Microprocessor Controlled for High Accuracy
- Power: 117 VAC 50/60 Hz (Optional 24 VDC)
- High Noise Rejection
- CSA and NRTL Approved

Function:

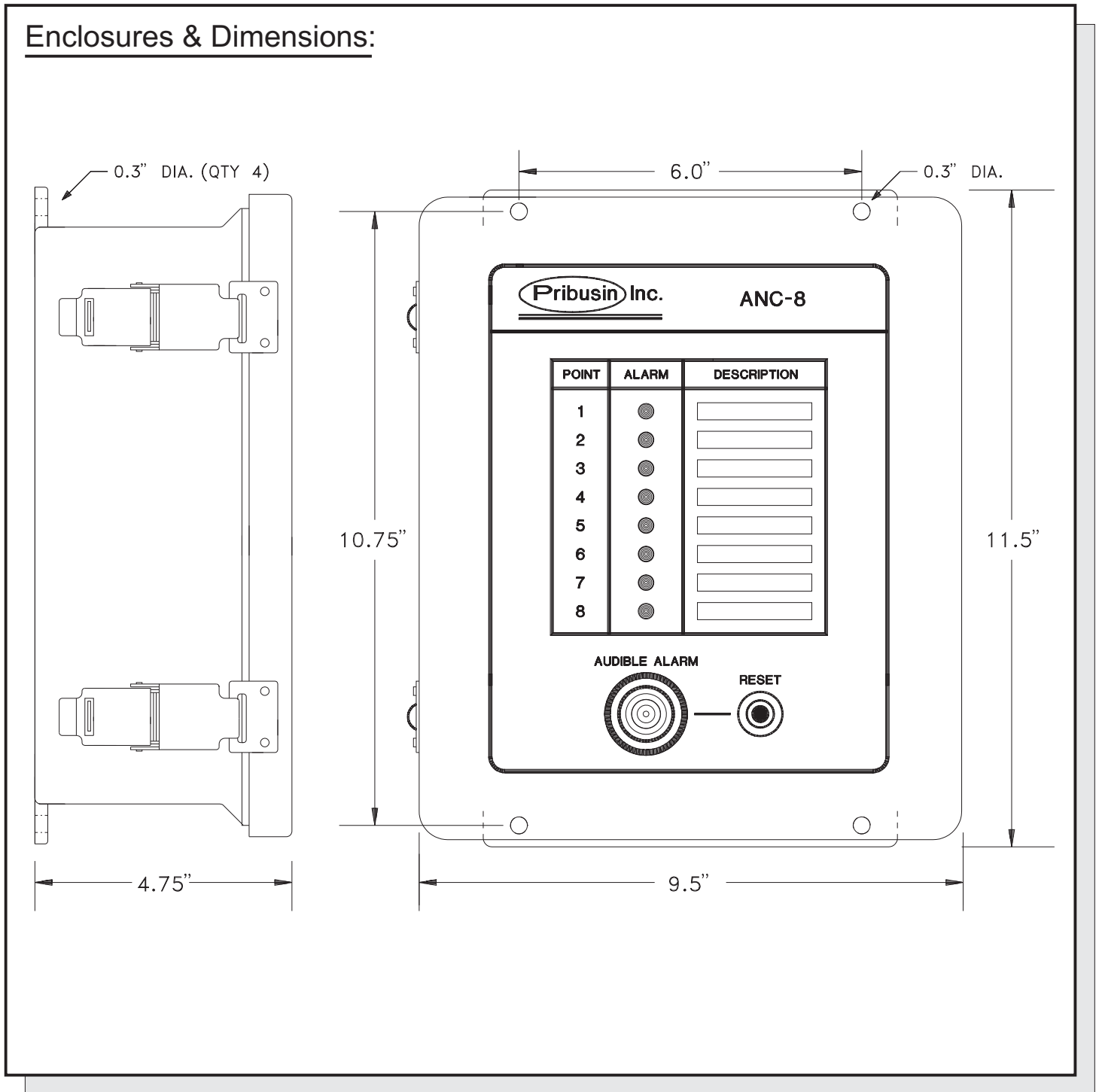
The ANC-8 is an 8 point annunciator with audible alarm & silence button. Up to 8 dry contact inputs may be connected to the ANC-8. The first alarm to come in will be locked out to identify chain of events. This is indicated by a rapidly flashing LED for the point of first alarm.

Specifications:

- Input: 8 Dry contacts
- Indication: One LED per point
- Alarm Lock-out: First alarm flashes LED rapidly
- Operating Temperature: -40 Deg.C. to +50 Deg.C.
- Power: 117 VAC, 60/50 Hz
(24VDC Available)

ANC-8

Enclosures & Dimensions:



Manufactured By:

Pribusin Inc.

www.pribusin.com
info@pribusin.com

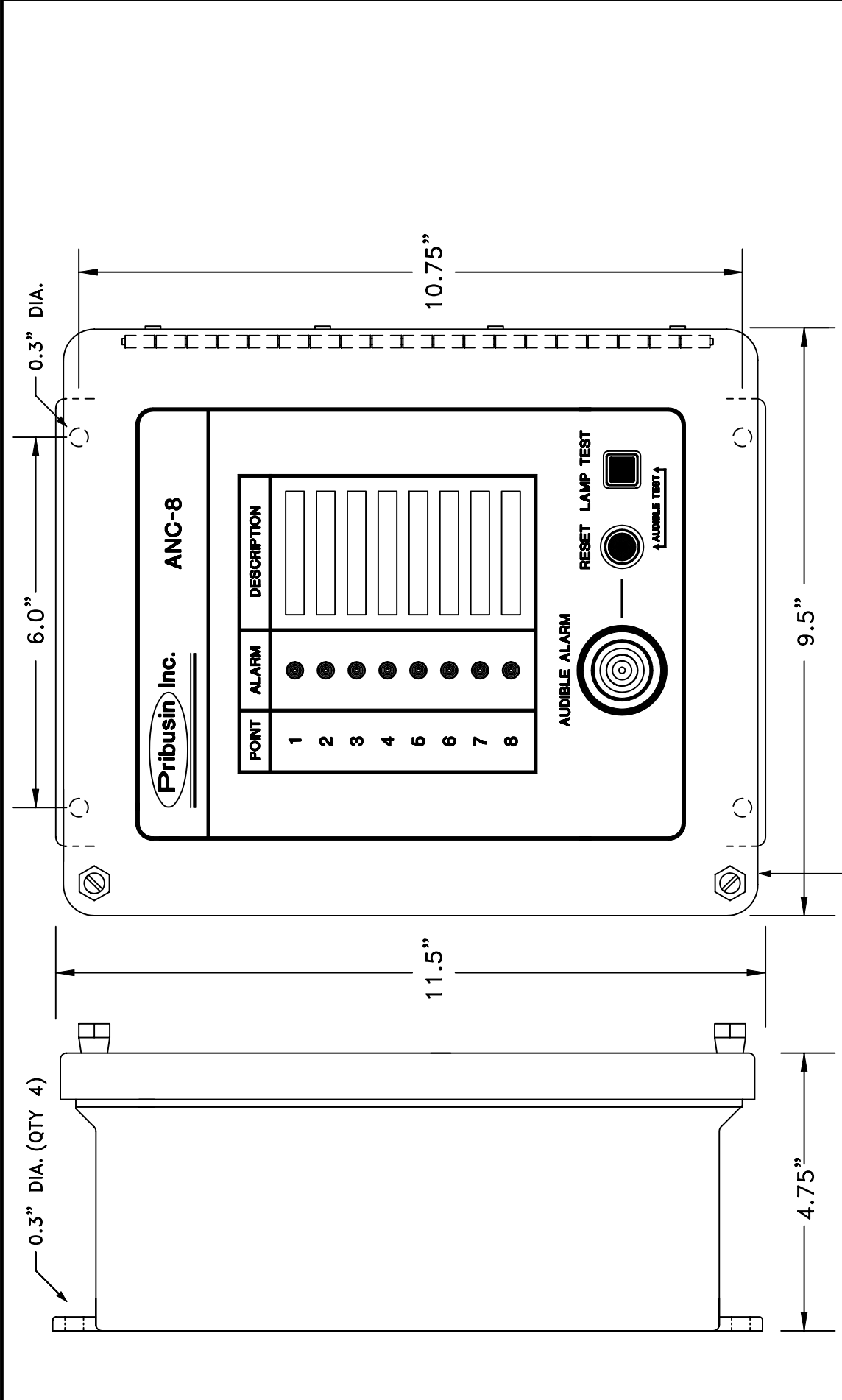
USA:

Pribusin Inc.
 743 Marquette Ave.
 Muskegon, MI 49442
 Ph: (231) 788-2900
 Fx: (231) 788-2929



CANADA:

Pribusin Inc.
 101 Freshway Dr. Unit 57
 Concord, Ontario, L4K 1R9
 Ph: (905) 660-5336
 Fx: (905) 660-4068



Pribusin Inc. ©	
CHKD:	DATE: JAN. 24/94
Model: ANC-8	
8 Point Annunciator Enclosure Drawing	
DWG. NO.:	104689-1
REV. D	

FRONT VIEW

FIBERGLASS ENCLOSURE
WITH STAINLESS STEEL HINGE
AND SCREW COVER

SIDE VIEW

Rev.D Nov.12/02 by KS

