



Standard Features:

Allows Serial Controller to Communicate Directly with RCI-XXX-RFM series Remotes

Provides Access to up to 127 Remote RCI's

Bi-directional Communication using License-free 900MHz Radio Band

Spread-Spectrum Radio Technology Provides Reliable Communication

Re-Transmission & Error Correction Algorithms ensure Accurate Data Transmission

No Calibration Required

Microprocessor Controlled for High Accuracy

Power: 24 VDC, 200mA

High Noise Rejection

Function:

The RCI-SER-RFM is a serial-to-radio interface. It allows PC's or PLC's to communicate directly with one or more RCI-XXX-RFM's. The standard MODBUS ASCII protocol used in the RCI-XXX-RFM series allows for easy integration with existing software packages on both PC's and PLC's.

The host controller connected to the RCI-SER-RFM controls the communication by sending out queries to each remote unit. The remote unit then replies with an acknowledgment if the data was received correctly.

The license-free spread-spectrum radio technology allows small systems to be set up with very little effort and at low cost. The technology ensures high communication reliability even in RF-intensive environments.

All units are sold with a ¼ wave omnidirectional whip antenna. Other antennas, such as directional Yagi or Patch antennas, are sold separately.

Options:

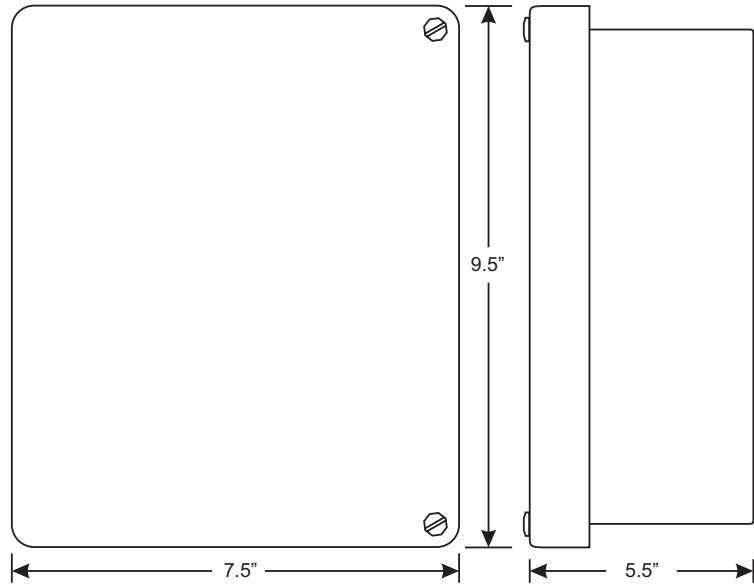
none available at this time

Specifications:

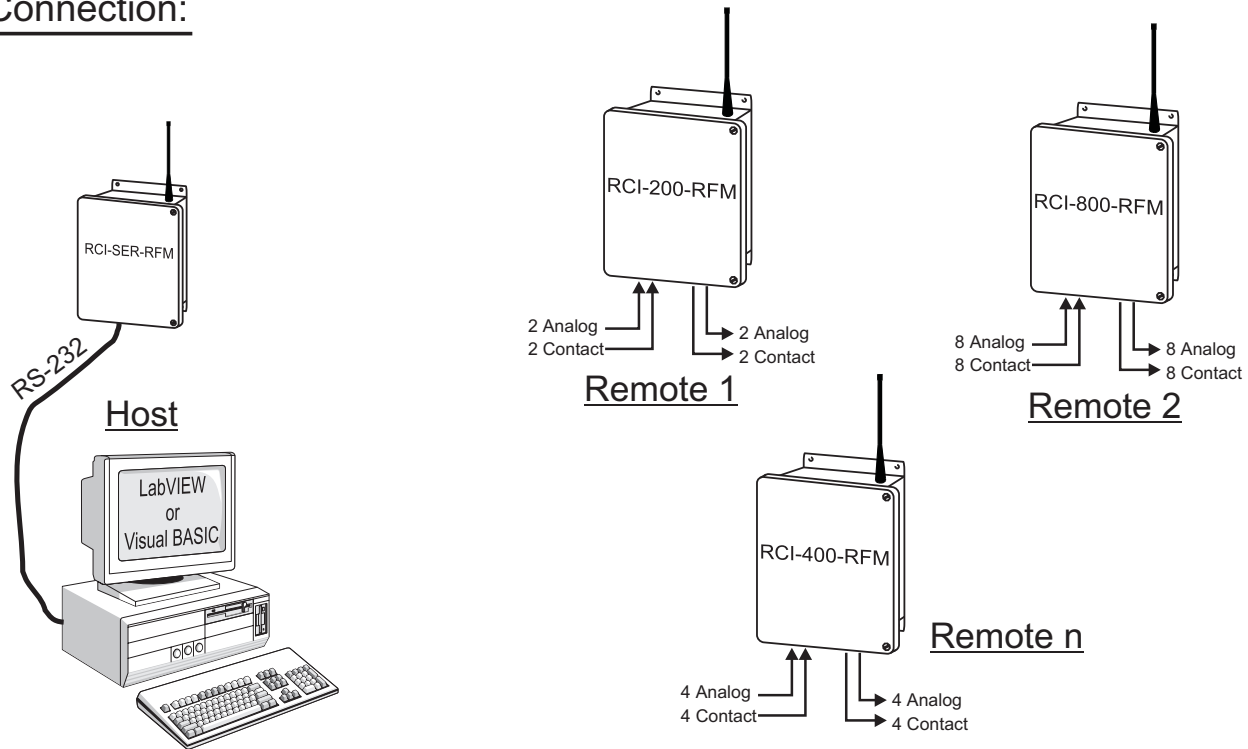
Media: 900MHz Spread-Spectrum Radio
Range: up to 1500ft indoors with omnidirectional antenna
up to 12 miles line-of-sight with directional antenna
Protocol: MODBUS ASCII
Speed: 9600 BAUD
Radio Power Output: 100mW, 1000mW (selectable)
Operating Temperature: -4°F to +140°F (-20°C to +60°C)
Power: 24VDC, 200mA max.
Enclosure: NEMA4X

RCI-SER-RF9

Enclosures & Dimensions:



Connection:



Manufactured By:

Pribusin Inc.

www.pribusin.com
info@pribusin.com

USA:

Pribusin Inc.
3938 Trade Center Drive
Ann Arbor, MI 48108-2072
Ph: (734) 677-0459
Fx: (734) 677-0861



CANADA:

Pribusin Inc.
101 Freshway Dr. Unit 57
Concord, Ontario, L4K 1R9
Ph: (905) 660-5336
Fx: (905) 660-4068