



*Manufacturers of Process
Controls and Instrumentation*

Instruction Manual

Model: *TPS-24V-1/4A*

Function: *24 VDC Terminal Power Supply*

Input: 117VAC, 50/60Hz, 6VA

Output: 24 VDC @ 250 mA (unregulated)

Serial #: _____

(If special or required)

For Technical Assistance And Questions Call
USA: (231) 788-2900 CANADA: (905) 660-5336

Restocking Policy

All product returned to Pribusin Inc. in prime condition (not damaged, scratched or defaced in any way) within seven (7) months from the original date of shipment is subject to a 50% restocking charge. All product must be accompanied by a Return Authorization number (RA number) which must be obtained from Pribusin Inc. prior to returning any product.

After seven (7) months from the original date of shipment, products cannot be returned for restocking.

Custom designed products, modified products or all non-standard products may not be returned for restocking.

Warranty Policy

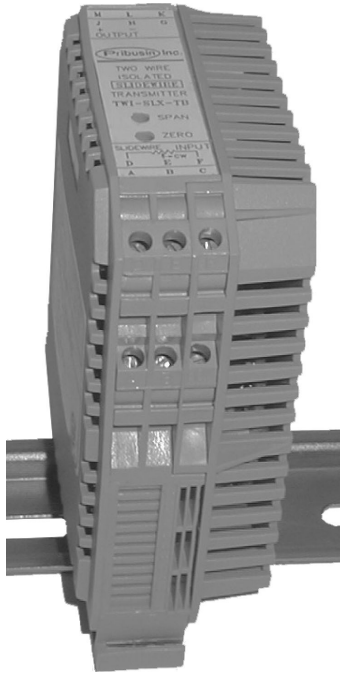
Pribusin Inc. warrants equipment of its own manufacture to be free from defects in material and workmanship, under normal conditions of use and service, and will replace any component found to be defective, on its return to Pribusin Inc., transportation charges prepaid, within one year of its original purchase. Pribusin Inc. will extend the same warranty protection on equipment, peripherals and accessories which is extended to Pribusin Inc. by the original manufacturer. Pribusin Inc. also assumes noliability, expressed or implied, beyond its obligation to prelace any component involved. Such warranty is in lieu of all other warranties, expressed or implied.

Pribusin Inc.

Manufacturers of Process
Controls and Instrumentation

Model: TPS-24V-1/4A

24 VDC Terminal Power Supply



Standard features:

- High Power to Output Isolation (1500 VAC Test)
- Small Size - Fits on Terminal Block Rail
- 24 VDC Output @ 250 mA (unregulated)
- Power 117 VAC, 60 Hz
- Protected by Fast-acting Fuse
- CSA and NRTL Approval Pending

Function:

The TPS-24V-1/4 is an isolated 24 VDC Power Supply. It is ideal for supplying power to other DIN rail mount instruments such as the series ITC, TWI, TWN or any other 24 VDC powered instrument. Its small size and easy installation make it ideal for crowded control panels where an isolated power supply is required.

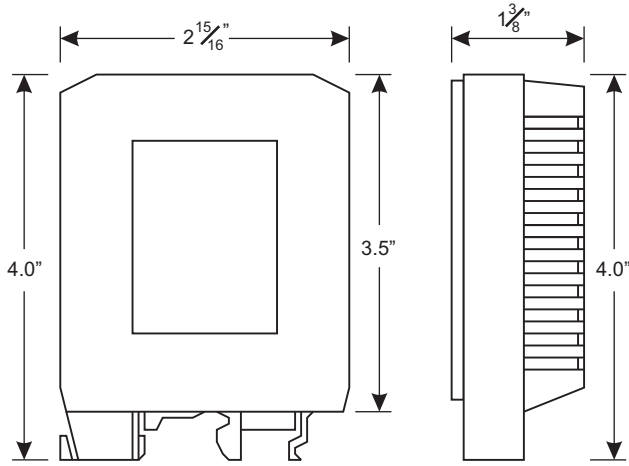
The built in fast-acting fuse protects the power supply from damage in case of a short circuit at the output.

Specifications:

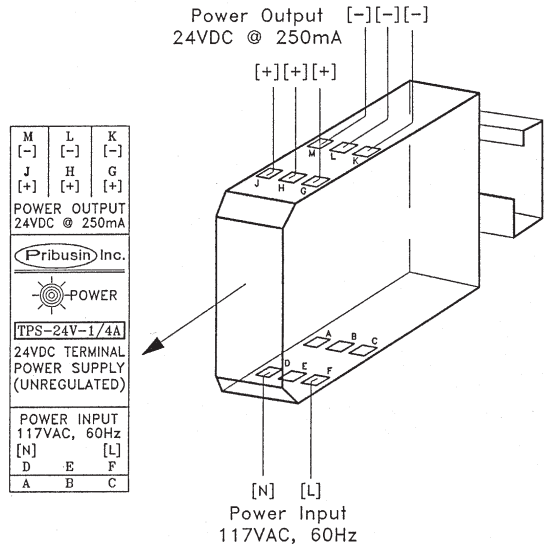
- Isolation: 1500 VAC (Test)
- Power: 117 VAC, 60 Hz
- Fuse: AGC 1/4A
- Output: 24 VDC, 250 mA max. (unregulated)
- Operating Temperature: -40 Deg. C. to + 50 Deg. C.

TPS-24V-1/4A

Dimensions:

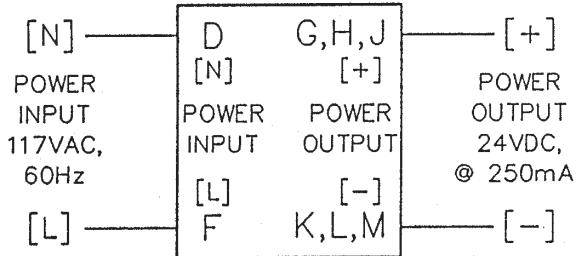


Connection:



Connection:

Field Connections



TPS-24V-1/4A
24VDC POWER SUPPLY

Manufactured By:

Pribusin Inc.

www.pribusin.com
info@pribusin.com

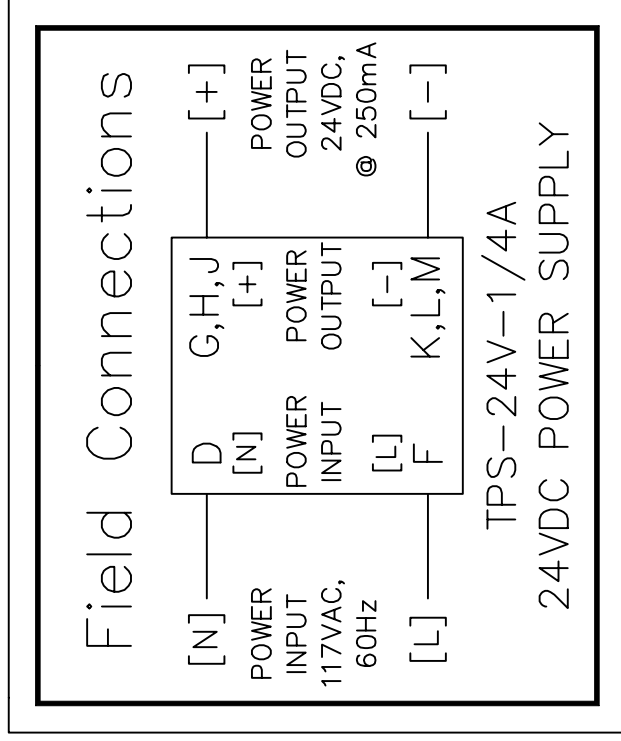
USA:

Pribusin Inc.
743 Marquette Ave.
Muskegon, MI 49442
Ph: (231) 788-2900
Fx: (231) 788-2929

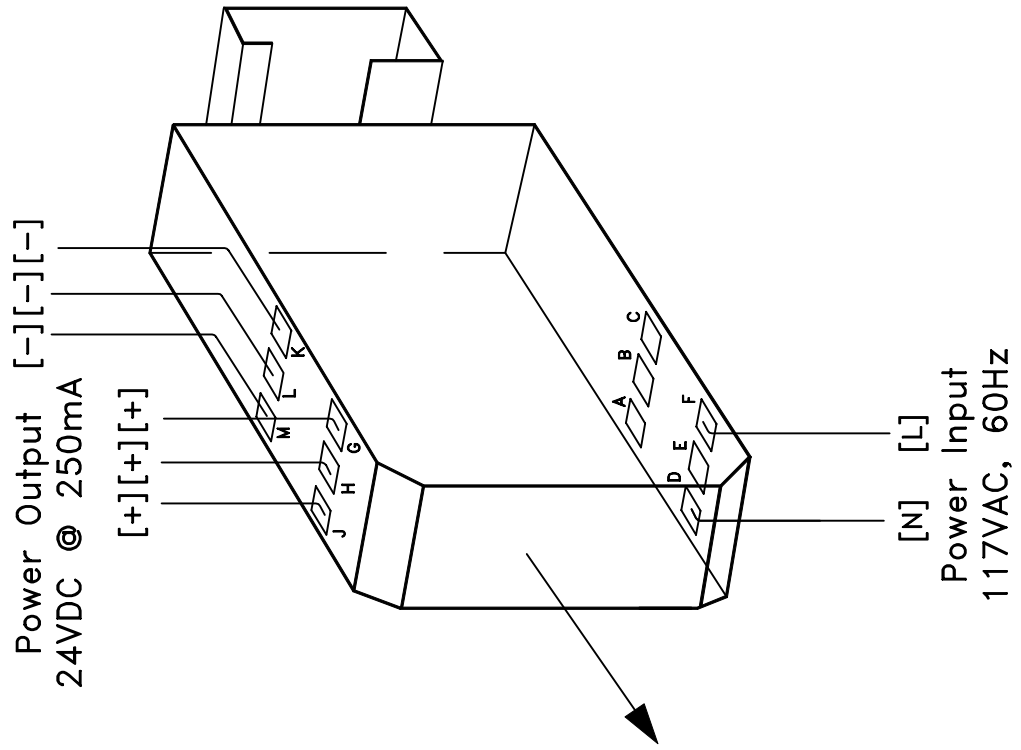


CANADA:

Pribusin Inc.
101 Freshway Dr. Unit 57
Concord, Ontario, L4K 1R9
Ph: (905) 660-5336
Fx: (905) 660-4068



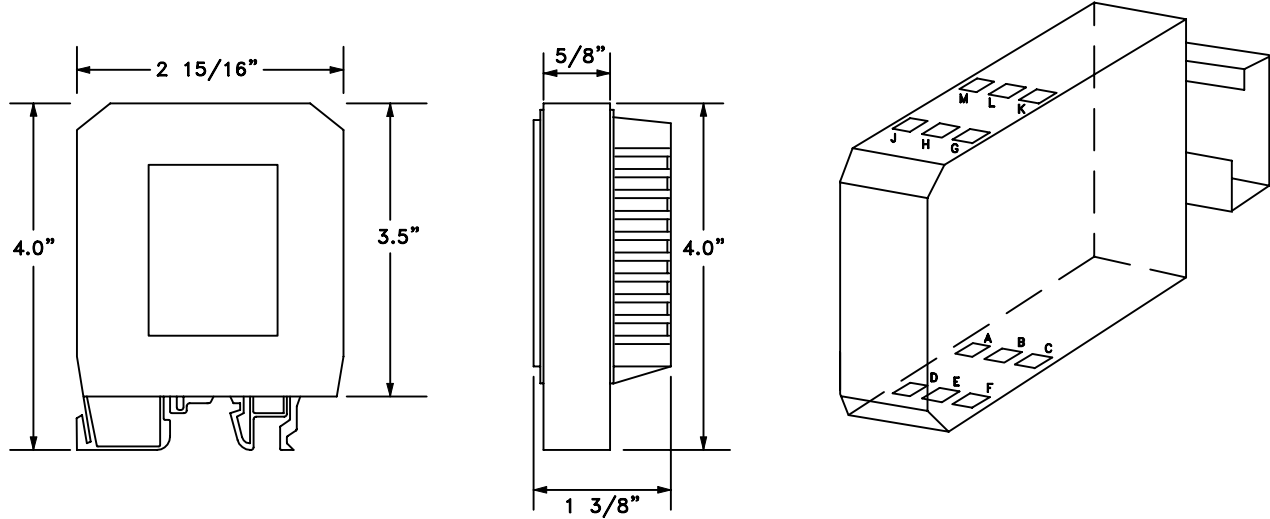
M [-]	L [-]	K [-]
J [+]	H [+]	G [+]
POWER OUTPUT 24VDC @ 250mA		
POWER		
TPS-24V-1/4A		
24VDC TERMINAL POWER SUPPLY (UNREGULATED)		
A	B	C
D	E	F
[N]	[L]	[L]



CHKD :	DATE : FEB. 09/94	DRN: KS
Model: TPS-24V-1/4A 24VDC Terminal Power Supply Connection Diagram		
DWG. NO. :	104722	REV. A

Note:
For Detail of Terminal Block Enclosure/
Din Rail See Dwg. 104385.

Enclosure Detail :



Din Rail Detail :

	<p>A</p> <p>Rail Standard EN 50 035 Dimensions: 32 x 15 x 1.5 mm</p>
	<p>B</p> <p>Rail Standard DIN EN 50 022 Dimensions: 35 x 15 x 2.3 mm</p>
	<p>C</p> <p>Rail Standard DIN EN 50 022 Dimensions: 35 x 7.5 x 1 mm</p>
	<p>D</p> <p>Rail Standard DIN EN 50 022 Dimensions: 35 x 15 x 1.5 mm</p>

<p>Pribusin Inc. ©</p>		
CHKD:	DATE: APR. 26/93	DRN: KS
<p>(Wide Cover) Terminal Block Enclosure/ Din Rail Detail</p>		
DWG. NO. :	104385	REV. B