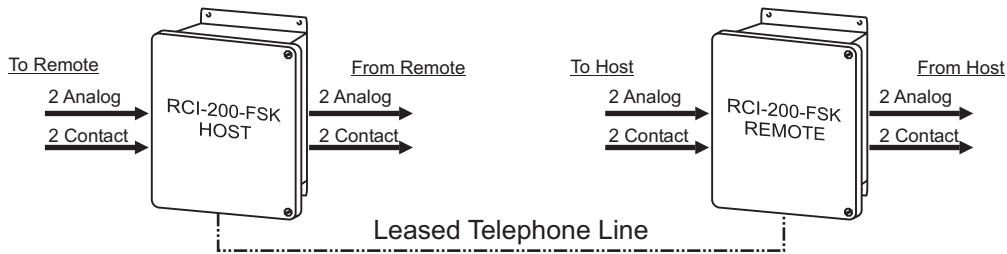


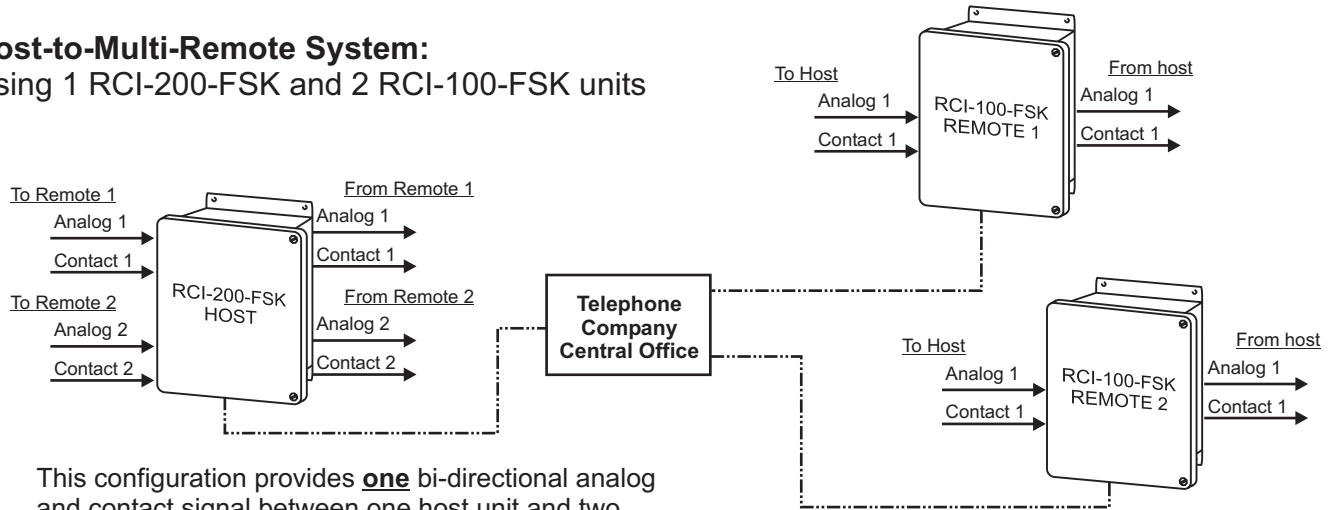
RCI-XXX-FSK Topologies Application Note

1. Point-to-Point System:



2. Host-to-Multi-Remote System:

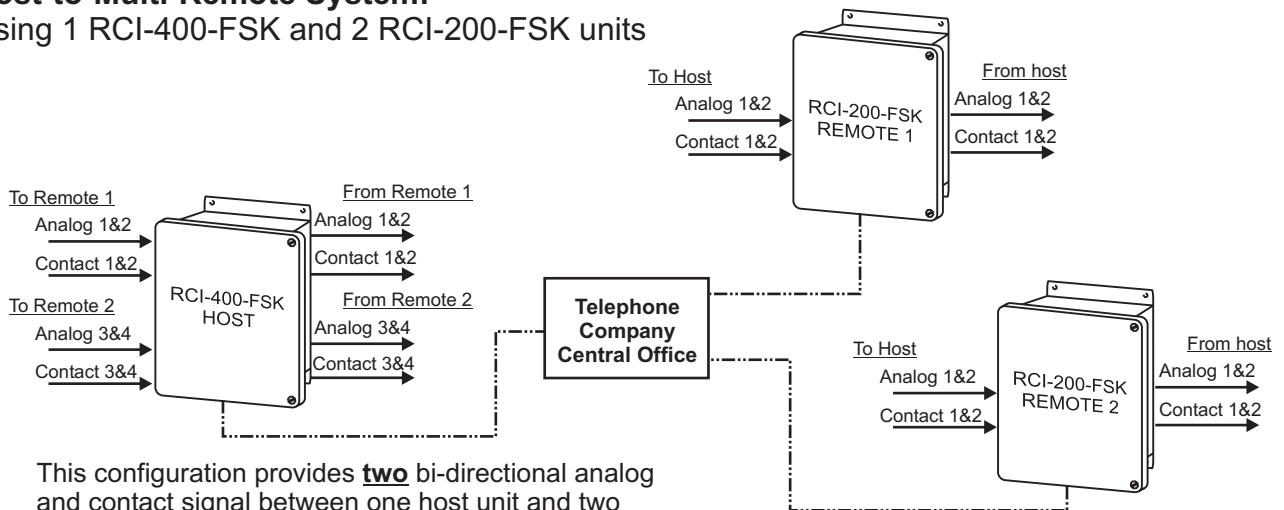
Using 1 RCI-200-FSK and 2 RCI-100-FSK units



This configuration provides **one** bi-directional analog and contact signal between one host unit and two remote units. The Leased lines are bridged at the Telephone Company's Central Office.

3. Host-to-Multi-Remote System:

Using 1 RCI-400-FSK and 2 RCI-200-FSK units



This configuration provides **two** bi-directional analog and contact signal between one host unit and two remote units. The Leased lines are bridged at the Telephone Company's Central Office.