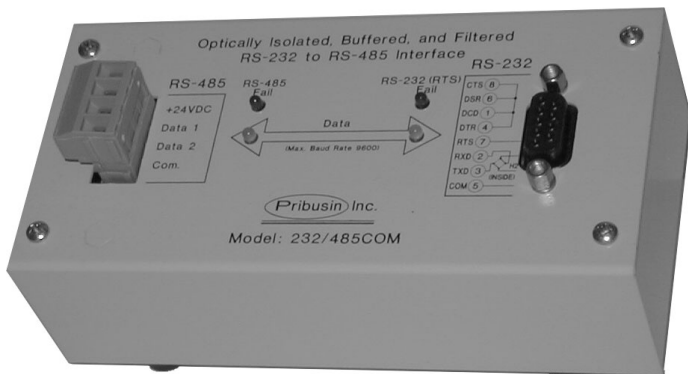


**Pribusin Inc.**

Manufacturers of Process  
Controls and Instrumentation

**Model: 232/485COM**

RS-232 to RS-485 Isolated Converter/Buffer



### Standard Features:

- Small Sized Desktop Package
- Optically Isolates RS-485 bus from RS-232 bus
- No Additional Power Supply Required
- Transmission Speeds up to 9600 BAUD
- No Calibration or Setup Required
- Microprocessor Controlled for High Accuracy
- Adjustable Echo Filtering for Long RS-485 busses
- High Noise Rejection
- CSA and NRTL Approved (LR51078)

### Function:

The 232/485COM Isolated Converter/Buffer converts RS-485 multi-drop signals to PC standard RS-232 signals. These can then be fed into a PC's existing COM ports.

The 232/485COM provides electrical isolation between an incoming RS-485 bus from the field and the host PC's RS-232 port. This helps to prevent power spikes or surges from entering the PC's delicate internal bus structures. Such power surges or spikes could lock-up the PC or may even cause internal damage.

In addition, the 232/485COM can provide echo filtering in the case of a long RS-485 bus in the field. In some cases a long RS-485 bus that has several impedance mismatches can create echos that could scramble the messages sent to and from the host PC. By buffering data and delaying it slightly before sending it on the 232/485COM can help reduce problems associated with echos.

### Connection:

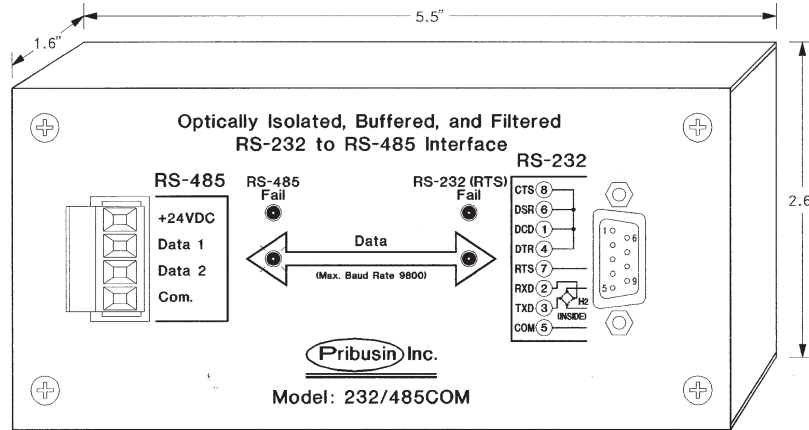
The 232/485COM uses a standard 9-pin miniature Dsub connector to connect to the RS-232 port of the host PC. The RS-485 connects with Pribusin's standard 4-pin plug-in connector.

### Specifications:

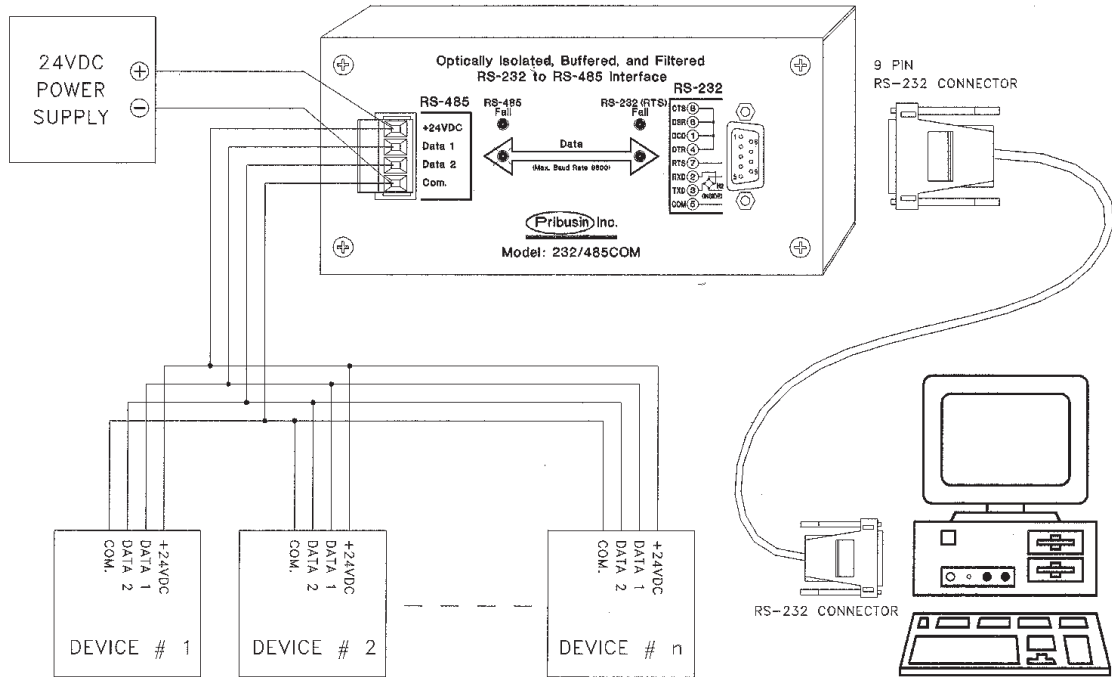
- Conversion: RS-232 / RS-485 (bi-directional)
- Transmission Speed: UP to 9600 BAUD
- Isolation: Optical, 1500VAC test
- Operating Temperature: -40 Deg.C. to +50 Deg.C.
- Power: 24VDC, 100mA (RS-485 side)  
10VDC, 20mA (RS-232 side)
- Enclosure: Metal Desktop Enclosure w/ Rubber Feet

# 232/485COM

## Enclosures & Dimensions:



## Connection:



## Manufactured By:



www.pribusin.com  
info@pribusin.com

### USA:

Pribusin Inc.  
4319 E. Apple Ave.  
Muskegon, MI 49442  
Ph: (231) 788-2900  
Fx: (231) 788-2929



### CANADA:

Pribusin Inc.  
101 Freshway Dr. Unit 57  
Concord, Ontario, L4K 1R9  
Ph: (905) 660-5336  
Fx: (905) 660-4068