

Standard features:

- High Input-Output-Power Isolation (1500VAC Test)
- Low Input Impedance on 4-20mA Inputs
- Small Size - Fits on Terminal Block Rail
- Industry Standard Inputs and Outputs (see back)
- High Output Drive (1000 Ohms for 4-20 mA)
- Two Wire Supply Option for Two Wire Transmitters
- Power: 120 VAC
- High Noise Rejection

Function:

The ITC-XX-120 provides high isolation from Input to Output to Power in a small, easy to install package. The universal DIN rail mount often makes it possible to install the ITC-XX-120 right next to the instrument that is to be isolated. The many different input and output configurations allow it to be used in a great variety of applications ranging from PLC front end conditioning to adding an extra loop with lots of drive to an existing, almost fully loaded, loop.

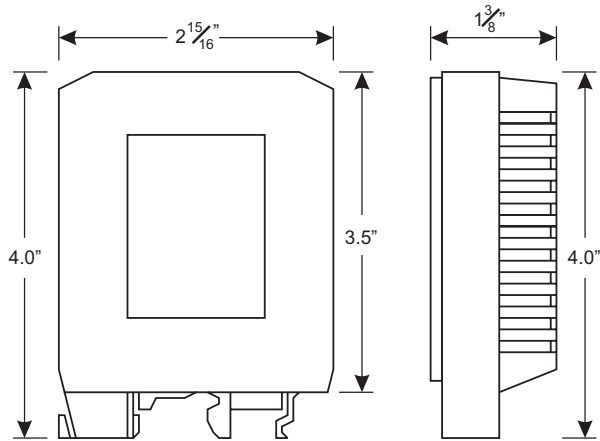
The high output drive (1000 Ohms @ 4-20 mA) allows the ITC-XX-120 to drive several other instruments directly from its output. The standard two wire supply allows the ITC-XX-120 to be used with two wire field transmitters such as differential pressure transducers, temperature sensors, etc.

Specifications:

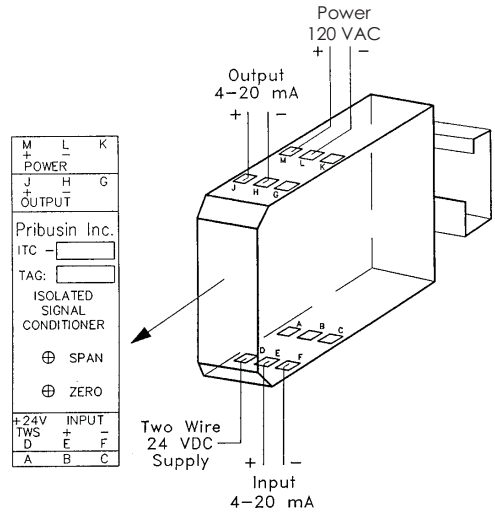
- Isolation: 1500 VAC Input to Output to Power (Test)
- Input Impedance (4-20mA only): 50 Ohms
- Power: 120 VAC
- Accuracy/Linearity: +/- 0.1% max., +/- 0.05% typ.
- Loop Resistance
- Change Effects: -0.03% per 100 Ohms change (4-20 mA only) calibrated at 250 ohms
- Common Mode Rej.: at 60 Hz = 120 dB
- Response Time: 50 msec to 63% of final value
250 msec to 99% of final value
- Temperature Effects: +/- 0.5% max., +/- 0.2% typ.
(for 40 Deg. C. change)
- Drift at 25 Deg. C.: 24 Hours: +/- 0.03%
30 Days: +/- 0.1%
- Operating Temperature: -40 Deg. C. to + 50 Deg. C.
- Coupling Capacitance: Input-Output-Power = 20 pF

ITC-XX-120

Dimensions:

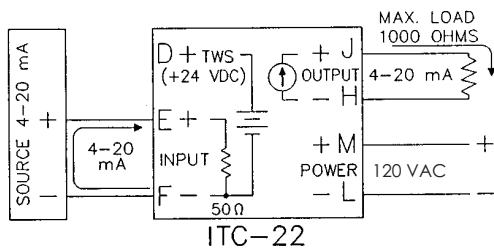


Connection:

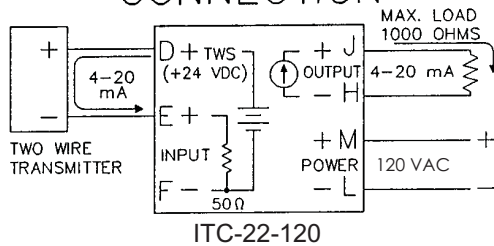


Connection:

NORMAL CONNECTION



TWO WIRE INPUT CONNECTION



Model Designation:

ITC-X X-120

Input

Output

- 1: 1-5 mA (Zin=200 Ohm)
- 2: 4-20 mA (Zin=50 Ohm)
- 3: 0-1mA (Zin=1K Ohm)
- 4: 10-50 mA (Zin=20 Ohm)
- 5: 1-5 VDC (Zin=1Meg Ohm)
- 6: 0-10 VDC (Zin=1Meg Ohm)
- 7: Special Input

- 2: 4-20 mA (1000 Ohm Drive)
- 5: 1-5 VDC (Zout=250 Ohm)
- 6: 0-10 VDC (Zout=500 Ohm)
- 7: Special Output

Example: Isolater with 1-5VDC Input & 4-20mA Output is designated by: ITC-52

Manufactured By:

Pribusin Inc.

www.pribusin.com
info@pribusin.com

USA:

Pribusin Inc.
3938 Trade Center Drive
Ann Arbor, MI 48108-2072
Ph: (734) 677-0459
Fx: (734) 677-0861



CANADA:

Pribusin Inc.
101 Freshway Dr. Unit 57
Concord, Ontario, L4K 1R9
Ph: (905) 660-5336
Fx: (905) 660-4068