



Standard Features:

- High Input-Output-Power Isolation (1500VAC Test)
- Inputs Available from mV to 150VAC
- Industry Standard Output: 4-20 mA, 1-5 VDC, more (see back)
- High Output Drive on Current Outputs
- Peak-to-Peak Conversion with 1 KHz Upper Cut-off (Upper Cut-off may be specified as other)
- Power: 117 VAC 50/60 Hz (Optional 24 VDC)
- High Noise Rejection
- CSA and NRTL Approved (LR 51078)

Function:

The IUC-7X-ACV converts a peak-to-peak AC voltage to a DC signal which can be one of several industry standards (4-20 mA, 1-5VDC, etc). Isolation is between input and output and power so that all three main circuits are isolated from each other.

The Input has an upper cut-off frequency (3 dB point) which is typically at 1 KHz but may be specified for other frequencies. The input impedance of the IUC-7X-ACV is 1 Megohm.

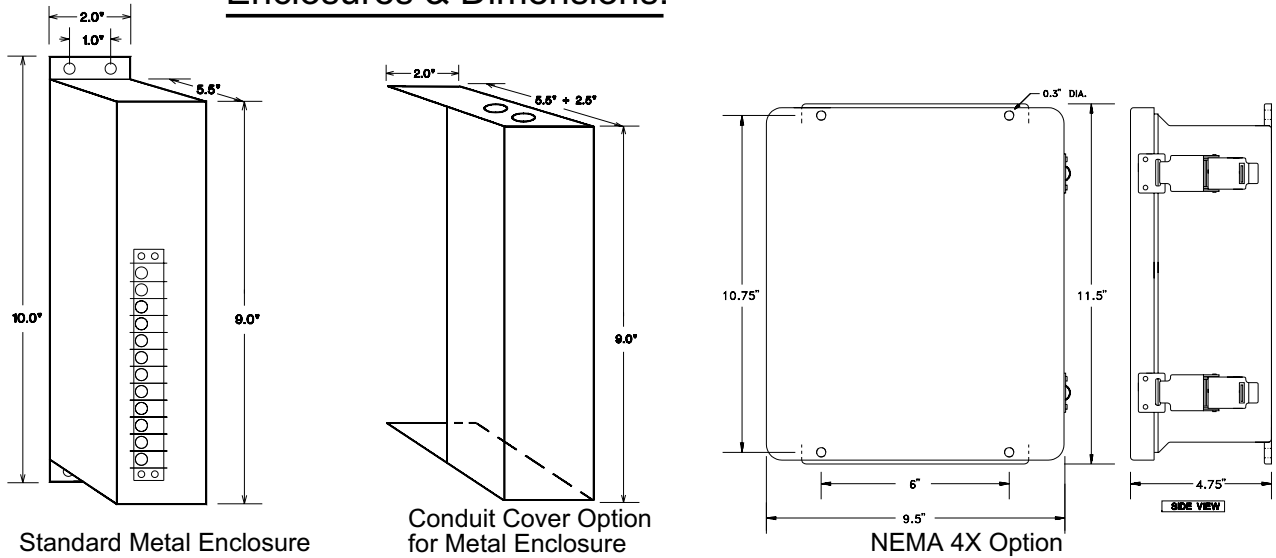
Typical applications are for vibration measurement using a displacement probe that generates an AC peak-to-peak value within the 1KHz spectrum.

Specifications:

- Isolation: Input to Output to Power 1500 VAC (test)
- AC Measurement: Peak-to-Peak
- Cut-off (3dB): 1 KHz, unless otherwise specified
- Accuracy/Linearity: +/- 0.3% max., +/- 0.1% typ.
- Ripple: 0.6% max.
- Operating Temperature: -40 Deg.C. to +50 Deg.C.
- Temperature Effects: +/-0.5% max., +/-0.2% typ. (for 40 Deg.C. change)

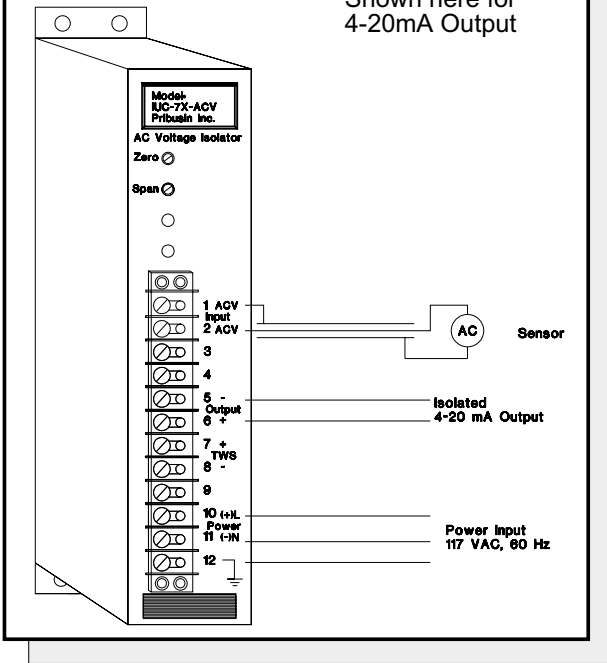
IUC-7X-ACV

Enclosures & Dimensions:



Connection:

Shown here for
4-20mA Output



Model Designation:

IUC-7X-ACV

Output

- 1: 1-5 mA (4000 Ohm Drive)
- 2: 4-20 mA (1000 Ohm Drive)
- 3: 0-1 mA (20000 Ohm Drive)
- 4: 10-50 mA (250 Ohm Drive)
- 5: 1-5 VDC (Zout=250 Ohm)
- 6: 0-10 VDC (Zout=500 Ohm)
- 7: Special Output

Example: Peak-to-Peak converter with up to 150 VAC input and 4-20 mA Output in standard metal enclosure and 117 VAC Power is designated by: IUC-72-ACV

If no options specified, unit is 117 VAC Power in metal enclosure

Options: (Add letters to end of Model Number)

- A - 24 VDC Prime Power
- B - 240 VAC Prime Power (not CSA approved)
- C - Conduit Cover for Metal Enclosure (see above)
- N - NEMA 4X enclosure (see above)

Manufactured By:

Pribusin Inc.

www.pribusin.com
info@pribusin.com

USA:

Pribusin Inc.
3938 Trade Center Drive
Ann Arbor, MI 48108-2072
Ph: (734) 677-0459
Fx: (734) 677-0861



CANADA:

Pribusin Inc.
101 Freshway Dr. Unit 57
Concord, Ontario, L4K 1R9
Ph: (905) 660-5336
Fx: (905) 660-4068