



Manufacturers of Process
Controls and Instrumentation

Model: IUC-XX-PDX

Isolated Pulse Duration Transmitter



Standard Features:

- High Input-Output-Power Isolation (1500VAC Test)
- Industry Standard Inputs (PDT): 4-20 mA, 1-5 VDC, and more (see back)
- Industry Standard Outputs (PDR): 4-20 mA, 1-5 VDC, more (see back)
- Easily Field Configurable to use any one of 6 Industry Standard Pulse Trains
- Custom Pulse Trains Available
- Easy Field Calibration (Typ. calibration time < 2 min. using handheld meter only)
- Microprocessor Controlled for High Accuracy
- Two Wire Supply Option for Two Wire Transmitters
- Power: 117 VAC 50/60 Hz (Optional 24 VDC)
- High Noise Rejection
- CSA and NRTL Approved (LR 51078)

Function:

The IUC-XX-PDX family of instruments make up a pulse duration transmission system that can be used to transmit an analog signal over a twisted pair (or a leased class A telephone line). The transmitter can have any one of the standard inputs such as 4-20 mA, 1-5 VDC, etc. The receiver can have any one of the same or a different analog output.

The output of the transmitter is a dry contact but can be an optional 24 VDC pulse. Correspondingly, the input of the receiver can accept either a dry contact or a 24 VDC pulse.

Model Designation:

IUC-X7-PDT

Input

- 1-5 mA (Zin=1K Ohm)
- 4-20 mA (Zin=250 Ohm)
- 0-1mA (Zin=5K Ohm)
- 10-50 mA (Zin=100 Ohm)
- 1-5 VDC (Zin=1Meg Ohm)
- 0-10 VDC (Zin=1Meg Ohm)
- Special Input

IUC-7X-PDR

Output

- 1-5 mA (4000 Ohm Drive)
- 4-20 mA (1000 Ohm Drive)
- 0-1 mA (20000 Ohm Drive)
- 10-50 mA (250 Ohm Drive)
- 1-5 VDC (Zout=250 Ohm)
- 0-10 VDC (Zout=500 Ohm)
- Special Output

Example: A Pulse Duration Transmitter with 4-20 mA input is an IUC-27-PDT, a receiver with a 1-5VDC output is an IUC-75-PDR.

If no options specified, unit is 117 VAC Power in metal enclosure

Specifications:

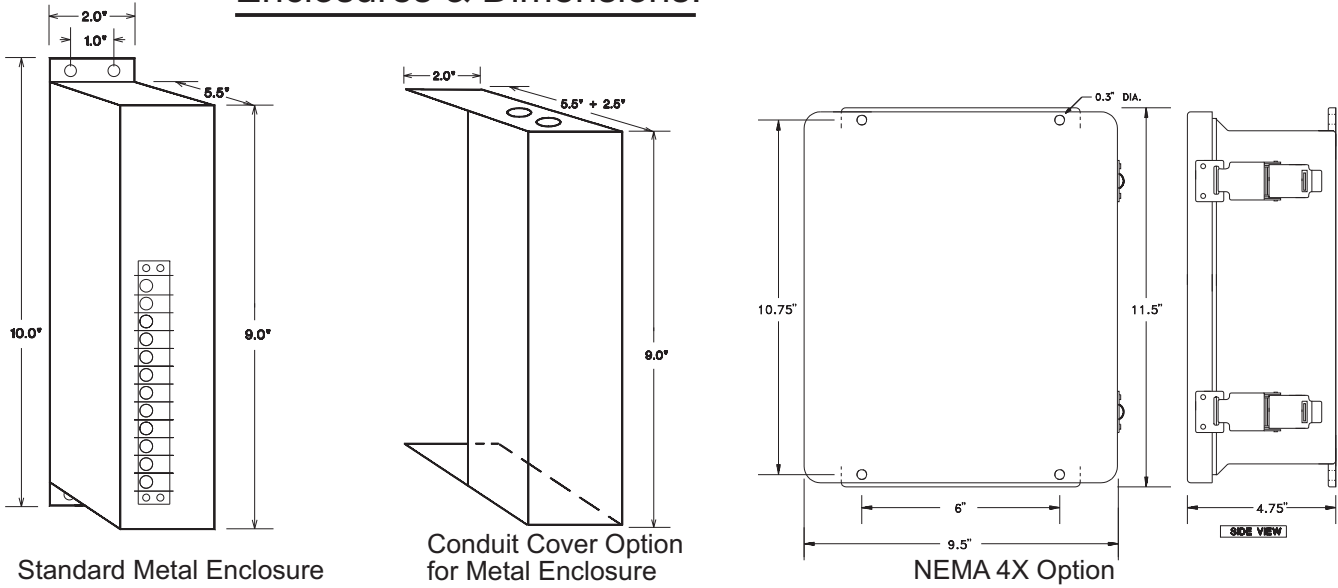
Isolation: Input to Output to Power 1500 VAC (test)
Accuracy/Linearity: +/- 0.3% max., +/- 0.1% typ.
Operating Temperature: -40 Deg.C. to +50 Deg.C.
Temperature Effects: +/-0.5% max., +/-0.2% typ.
(for 40 Deg.C. change)

Options: (Add letters to end of Model Number)

- A - 24 VDC Prime Power
- B - 240 VAC Prime Power (not CSA approved)
- P - 24VDC Pulse Output (Instead of Relay)
- T - 200 mA Two Wire Supply (24 VDC unreg.)
- C - Conduit Cover for Metal Enclosure (see back)
- N - NEMA 4X enclosure (see back)

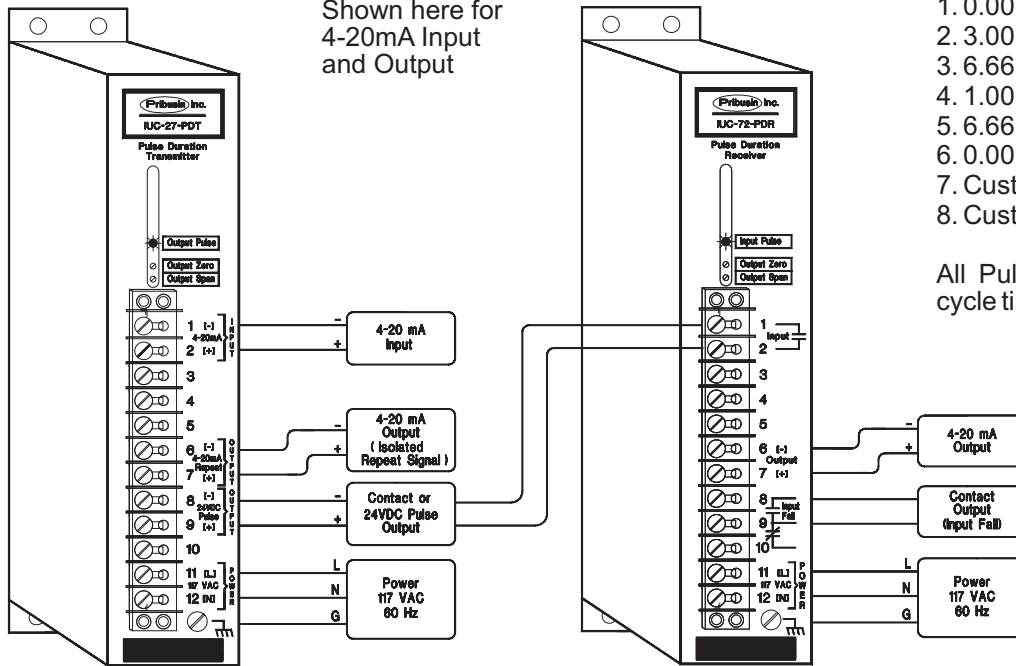
IUC-XX-PDX

Enclosures & Dimensions:



Connection:

Shown here for
4-20mA Input
and Output



Available Pulse Trains:

1. 0.00 - 13.33 Sec.
2. 3.00 - 12.00 Sec.
3. 6.66 - 12.00 Sec.
4. 1.00 - 4.00 Sec.
5. 6.66 - 13.33 Sec.
6. 0.00 - 7.50 Sec.
7. Custom Pulse Train
8. Custom Pulse Train

All Pulse Trains have a 15 second cycle time.

Manufactured By:



www.pribusin.com
info@pribusin.com

USA:

Pribusin Inc.
743 Marquette Ave
Muskegon, MI 49442
Ph: (231) 788-2900
Fx: (231) 788-2929



CANADA:

Pribusin Inc.
101 Freshway Dr. Unit 57
Concord, Ontario, L4K 1R9
Ph: (905) 660-5336
Fx: (905) 660-4068