

Function:

The MTS-4DIO is a 4 channel digital input and output module. It provides bidirectional digital input and output capability for an MTS series telemetry system. There are 4 digital inputs (wet or dry) and 4 Digital outputs (form 'A' Relay contacts). The MTS-4DIO communicates with another MTS-4DIO module.

Each input can be configured as a dry or wet contact input. An adjustable ON/OFF delay can be invoked to provide hysteresis. The input status of each channel is indicated individually. While an input is in its ON or OFF delay mode the indicator flashes.

Relay outputs can be configured to go into a predetermined state during communication fail events.

Deployment and installation is as simple as plugging the needed I/O modules into the communications module and assigning unique module ID's. Power and communication for the modules are provided through an integral bus.

Standard Features:

- 4 Digital Inputs & 4 Digital Outputs (Relay Contacts)
- Inputs Individually Selectable as Dry or Wet Contacts
- Selectable Fault Condition State for Digital Outputs
- Input & Output Status Indication
- Adjustable On/Off Delay For Input Hysteresis
- Integrated Power & Data Bus Reduces Wiring
- Modular Design Provides Maximum Flexibility
- No Programming Required - Easy to Configure
- Microprocessor Controlled for High Accuracy
- Power: 24 VDC (From Integrated Bus)
- Easy Future Expansion

Configuration:

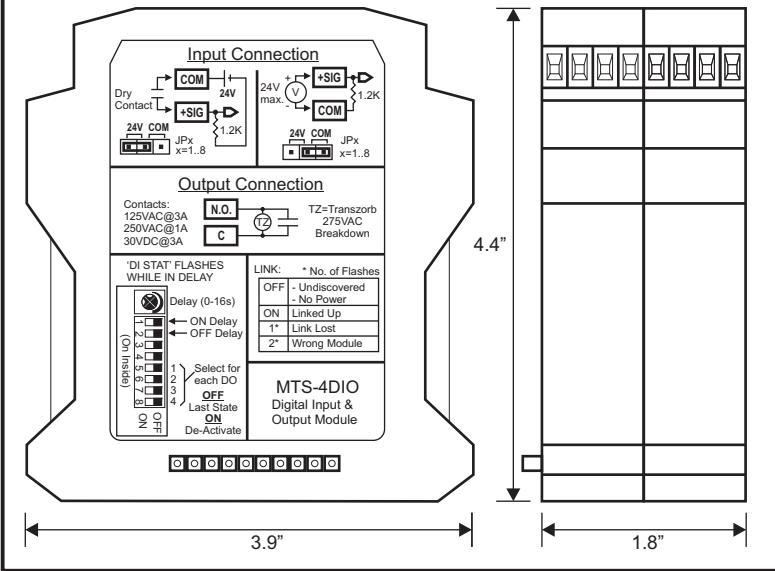
The MTS-4DIO module must be paired up with another MTS-4DIO module. Both modules must be set to the same ID with the ID Selector Switches. Each input can be selected as 'Dry Contact' input or 'DC Signal' input with jumpers JP1-JP4. An ON/OFF delay can be imposed from 0-16 seconds to filter out nuisance signals or noise.

Specifications:

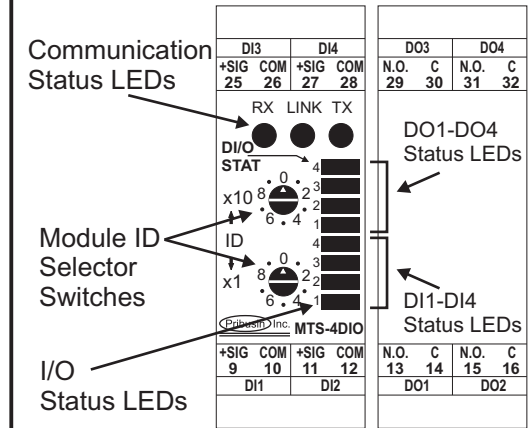
- Inputs: 4 Dry Contact (24V excitation from Module) or 4 DC Signal (0-24VDC max.)
- Input Impedance: 1200 ohms
- Reverse Polarity Protection (Input): Yes
- Outputs: 4 SPST Relay Contacts
- Contact Rating: 125VAC/3A; 250VAC/1A; 30VDC/3A
- Contact Arc Suppression: Yes (MOV)
- Power Consumption: 0.5VA (All I/O Open)
4.8VA (All I/O Closed)

MTS-4DIO

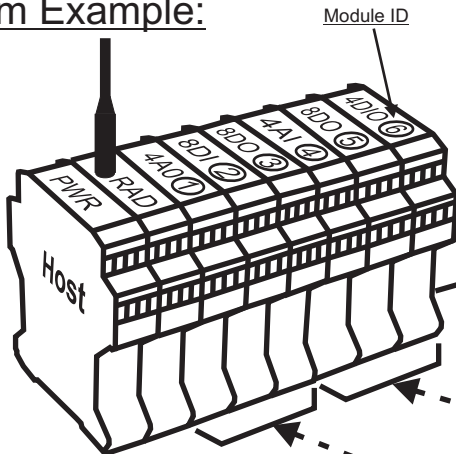
Module Dimensions:



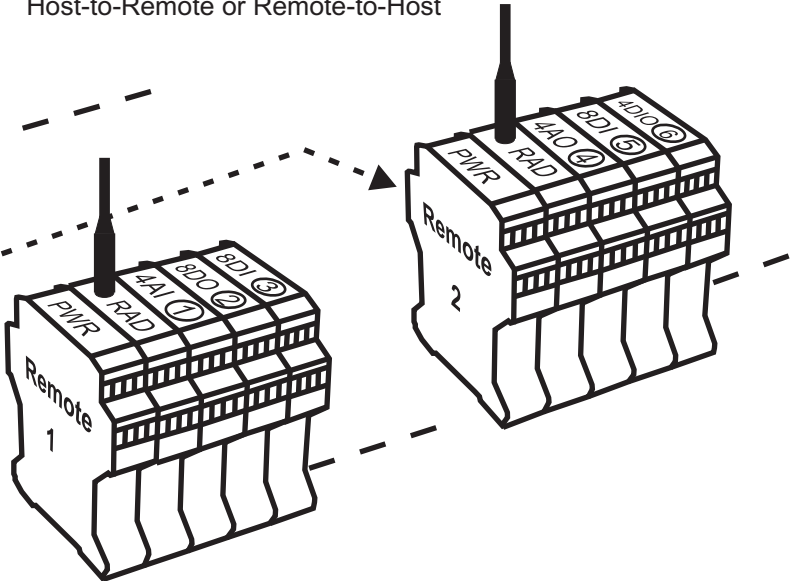
Top View:



System Example:



- Each Input module must have an Output module counterpart
- Each module pair uses the same module ID
- One host radio module can communicate with up to 99 remote radio modules
- Module pairs may be arranged to exchange signals either from Host-to-Remote or Remote-to-Host



Part No.	Description
MTS-RAD	Wireless Communication Interface
MTS-4DIO	4 Digital Inputs & 4 Digital Outputs
MTS-8DI	8 Digital Inputs
MTS-8DO	8 Digital Outputs
MTS-4AI	4 Analog Inputs
MTS-4AO	4 Analog Outputs
MTS-1FI	1 Frequency/Pulse Input
MTS-1FO	1 Frequency/Pulse Output
MTS-PWR	24VDC Power Module

Manufactured By:

Pribusin Inc.

www.pribusin.com
info@pribusin.com

USA:

Pribusin Inc.
4319 E. Apple Ave.
Muskegon, MI 49442
Ph: (231) 788-2900
Fx: (231) 788-2929



CANADA:

Pribusin Inc.
101 Freshway Dr. Unit 57
Concord, Ontario, L4K 1R9
Ph: (905) 660-5336
Fx: (905) 660-4068