



Function:

The MTS-8DO is an 8 channel digital output module. It provides digital output capability for an MTS series telemetry system. The MTS-8DO communicates with its counterpart, the MTS-8DI digital input module.

2 outputs are SPDT (form 'C') outputs with one Normally-Open and one Normally Closed connection, while the remaining 6 outputs are SPST (form 'A') outputs with a Normally Open connection. The output status of each channel is indicated individually.

Deployment and installation is as simple as plugging the needed I/O modules into the communications module and assigning unique module ID's. Power and communication for the modules are provided through an integral bus.

Optional power supply modules add battery backup and solar power capability.

Standard Features:

- 8 Digital Outputs (Relay Contacts)
- Form 'C' Contacts (2) and Form 'A' Contacts (6)
- Output Status Indication
- Selectable Fault Condition State
- Integrated Power & Data Bus Reduces Wiring
- Modular Design Provides Maximum Flexibility
- No Programming Required - Easy to Configure
- Microprocessor Controlled for High Accuracy
- Power: 24 VDC (From Integrated Bus)
- Easy Future Expansion
- Class I, Div. 2 Approved

Configuration:

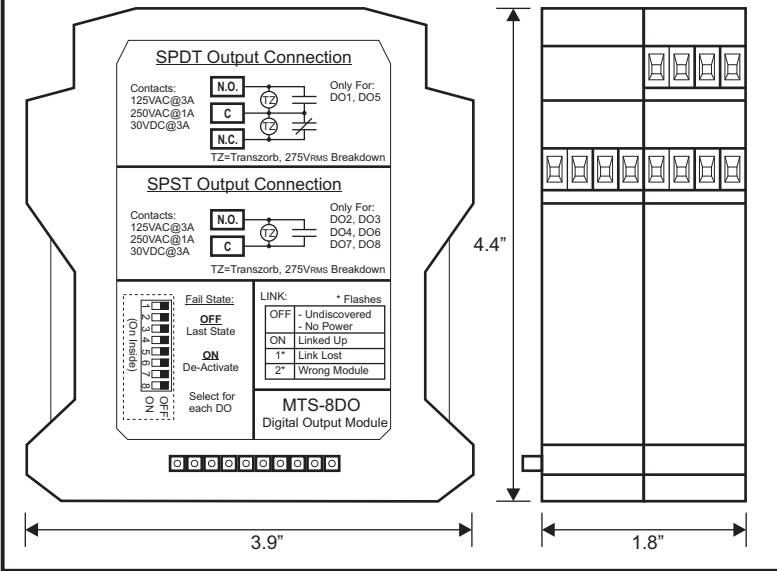
The MTS-8DO output module must be paired up with the MTS-8DI input module. Both modules must be set to the same ID with the ID Selector Switches. Each output can be configured to remain in its last state or deactivate during a communications fail condition.

Specifications:

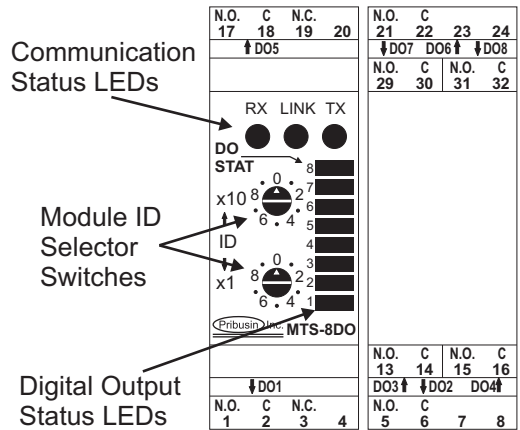
- Outputs: 6 SPST & 2 SPDT Relay Contacts
- Contact Rating: 125VAC @ 3A
250VAC @ 1A
30VDC @ 3A
- Contact Arc Suppression: Yes (MOV)
- Power Consumption: 0.5VA (All Outputs Open)
2.5VA (All Outputs Closed)
- Approvals: ETL 3098704:
Class I & II, Div. 2 and Class III, Div. 1&2;
UL 508; CSA-C22.2 No. 14-95

MTS-8DO

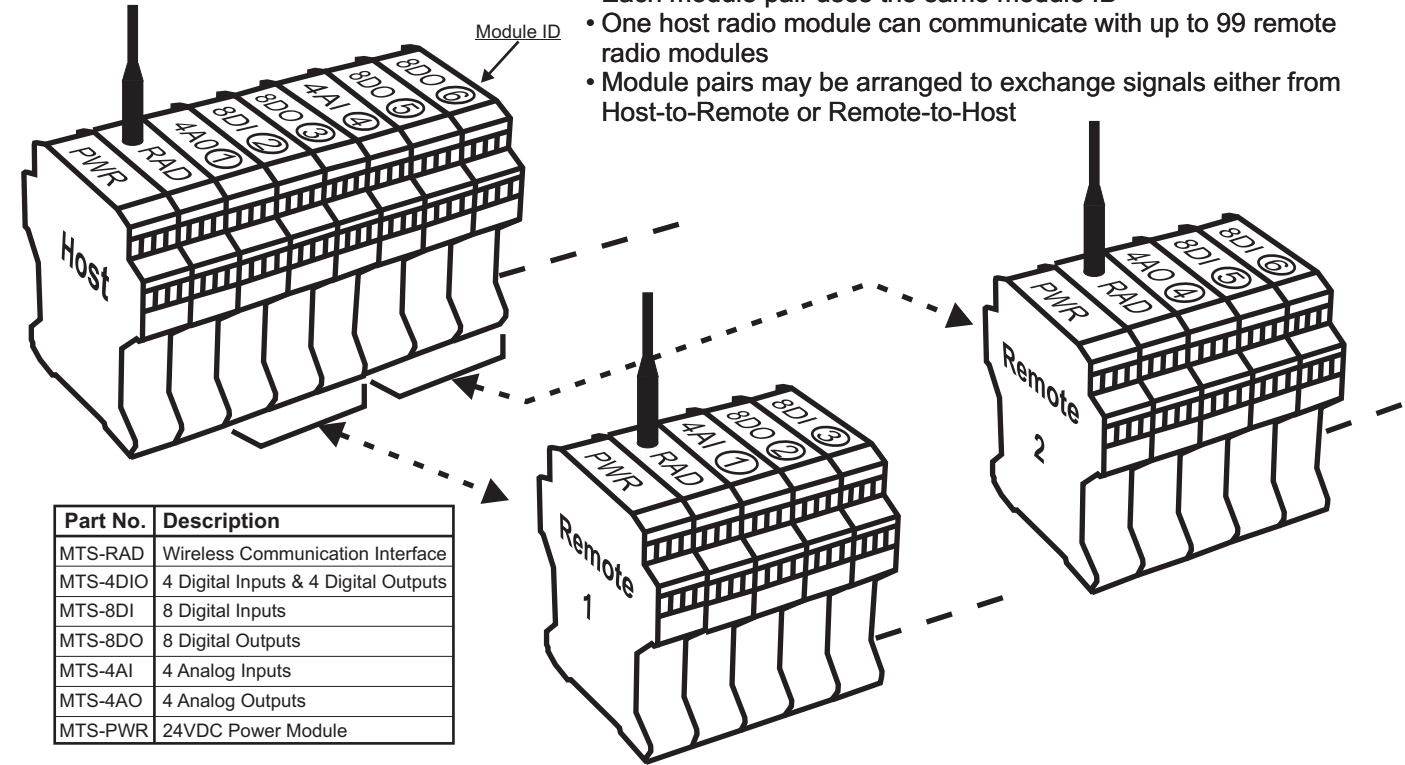
Module Dimensions:



Top View:



System Example:



Manufactured By:



www.pribusin.com
 info@pribusin.com

USA:

Pribusin Inc.
 4319 E. Apple Ave.
 Muskegon, MI 49442
 Ph: (231) 788-2900
 Fx: (231) 788-2929



CANADA:

Pribusin Inc.
 101 Freshway Dr. Unit 57
 Concord, Ontario, L4K 1R9
 Ph: (905) 660-5336
 Fx: (905) 660-4068