

### Standard Features:

- Uses Standard 10/100 Ethernet Connection
- Secure Private Network Architecture
- User Configurable Poll Rate
- Loss of Signal Output
- Point-to-Point or Point-to-Multi-Point Topologies
- Automatic Recognition of Attached I/O Modules
- Integrated Power & Data Bus Reduces Wiring
- Modular Design Provides Maximum Flexibility
- Easy to Configure with Provided Software
- Power: 24 VDC (From Integrated Bus)
- Class I, Div. 2 Approval Pending

### Function:

The MTS-NET is an ethernet communications module that forms the backbone of an MTS telemetry system. These modules can be configured as 'Host' or 'Remote' and systems can be setup in a 'Point-to-Point' or 'Point-to-Multi-Point' topology. Adjustable polling rates ensure that network traffic is kept to a minimum.

Deployment and installation is as simple as plugging the needed I/O modules into the communications module and assigning unique module ID's. The MTS-NET automatically discovers the I/O modules that are attached to it and does all necessary configuration. Power and communication for the modules are provided through an integral bus.

Network parameter configuration is accomplished by using the provided configuration program.

### Configuration:

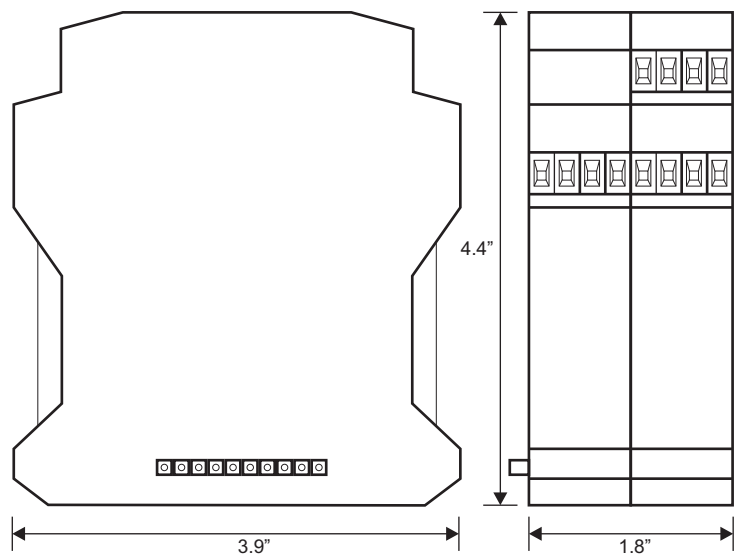
The MTS-NET is configured via a Windows® based configuration program. This program is provided free of charge by Pribusin Inc.

### Specifications:

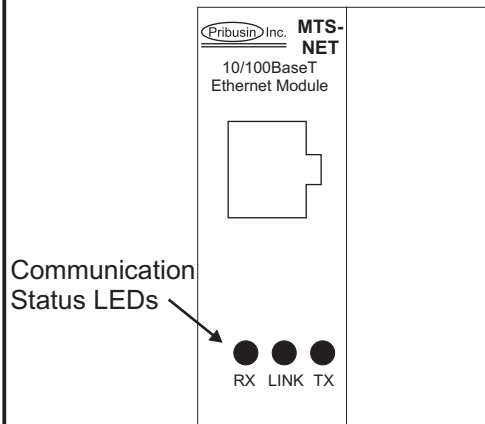
- Connection: RJ45 Jack
- Network: 10/100 BaseT Ethernet, Cat5
- Comm. Speed: 115 Kbps
- Power Consumption: 5VA max.
- Temperature: -30°C to +70°C (Operating)

# MTS-NET

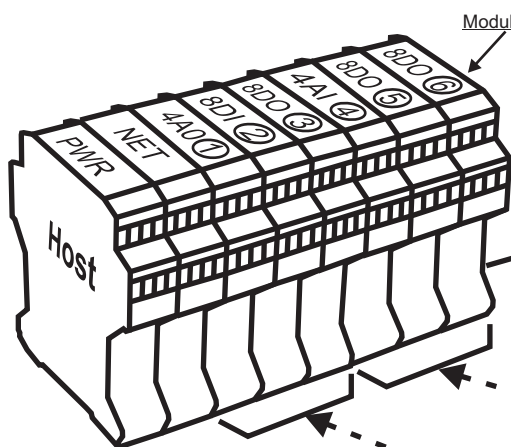
## Module Dimensions:



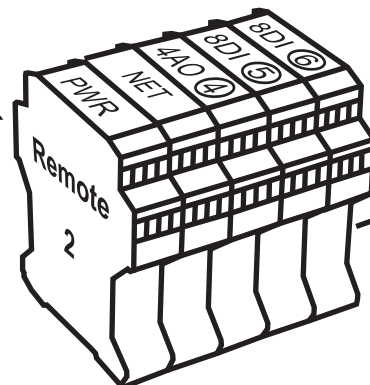
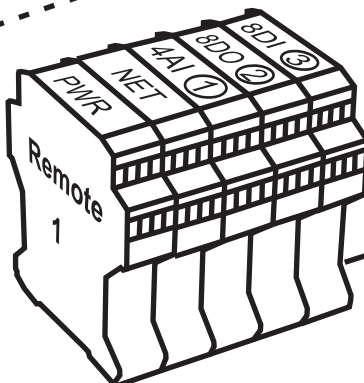
## Top View:



## System Example:



- Each Input module must have an Output module counterpart
- Each module pair uses the same module ID
- One host radio module can communicate with up to 99 remote radio modules
- Module pairs may be arranged to exchange signals either from Host-to-Remote or Remote-to-Host



| Part No. | Description                          |
|----------|--------------------------------------|
| MTS-NET  | Ethernet Communication Interface     |
| MTS-4DIO | 4 Digital Inputs & 4 Digital Outputs |
| MTS-8DI  | 8 Digital Inputs                     |
| MTS-8DO  | 8 Digital Outputs                    |
| MTS-4AI  | 4 Analog Inputs                      |
| MTS-4AO  | 4 Analog Outputs                     |
| MTS-PWR  | 24VDC Power Module                   |

## Manufactured By:

**Pribusin Inc.**

[www.pribusin.com](http://www.pribusin.com)  
[info@pribusin.com](mailto:info@pribusin.com)

### USA:

Pribusin Inc.  
743 Marquette Ave.  
Muskegon, MI 49442  
Ph: (231) 788-2900  
Fx: (231) 788-2929



### CANADA:

Pribusin Inc.  
101 Freshway Dr. Unit 57  
Concord, Ontario, L4K 1R9  
Ph: (905) 660-5336  
Fx: (905) 660-4068