

Standard Features:

Provides Power to All Modules via Integrated Bus
Battery Backup Capability
Power Status Indication
Integrated Power & Data Bus Reduces Wiring
Modular Design Provides Maximum Flexibility
Power: 24 VDC, 5A max.
Class I, Div. 2 Approved

Function:

The MTS-PWR is a power supply and distribution module for any MTS based telemetry system. It provides the necessary power to all modules in an MTS stack in an easy to integrate module. It gives visual indication on the status of the power supply.

An optional external battery pack can be connected to the MTS-PWR to provide a backup power source. Batteries are NiMh type which have high power density and no memory effect.

Deployment and installation is as simple as plugging the needed I/O modules into the communications module and assigning unique module ID's. Power and communication for the modules are provided through an integral bus.

Configuration:

The MTS-PWR requires no configuration.

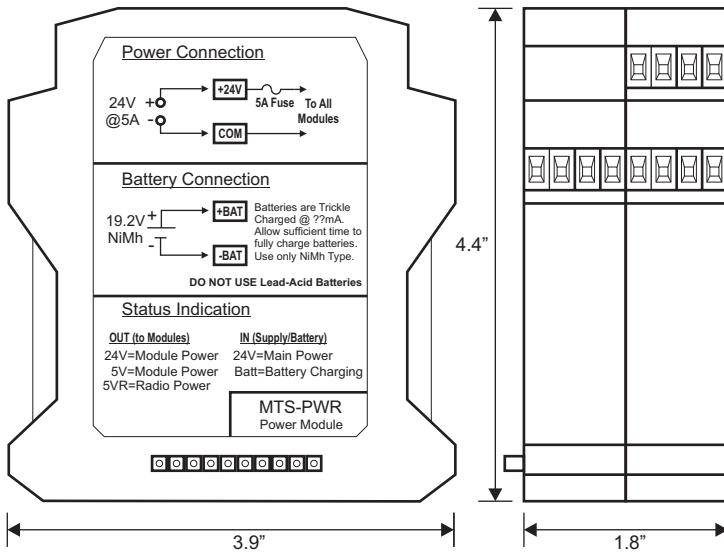
If the Battery Backup option is used, simply connect the batteries to the terminals as indicated on the connection diagram.

Specifications:

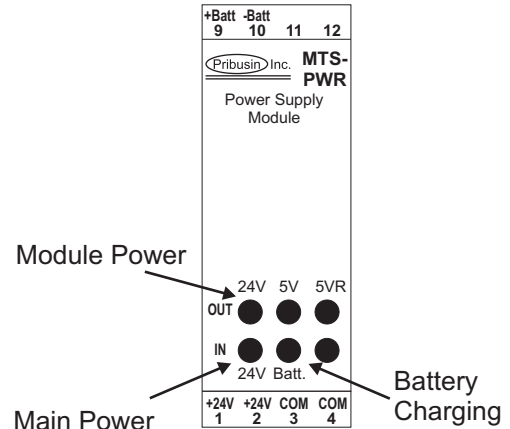
Input Power: 24VDC, 5A max.
Output Power: 24VDC, 3A max.
5VDC, 1A max. (x2)
Reverse Polarity Protection: Yes
Battery Type: NiMh
Battery Charging Current: 500mA
Approvals: ETL 3098704:
Class I & II, Div. 2 and Class III, Div. 1&2;
UL 508; CSA-C22.2 No. 14-95

MTS-PWR

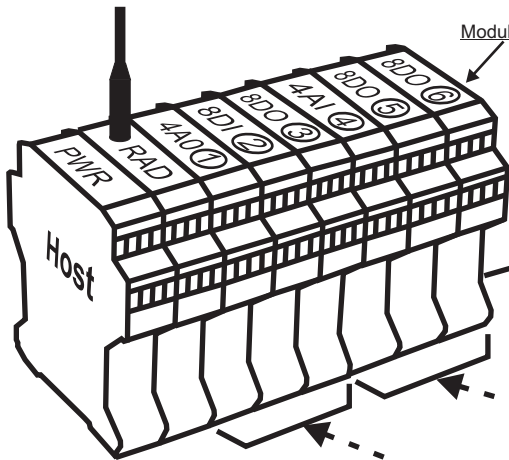
Module Dimensions:



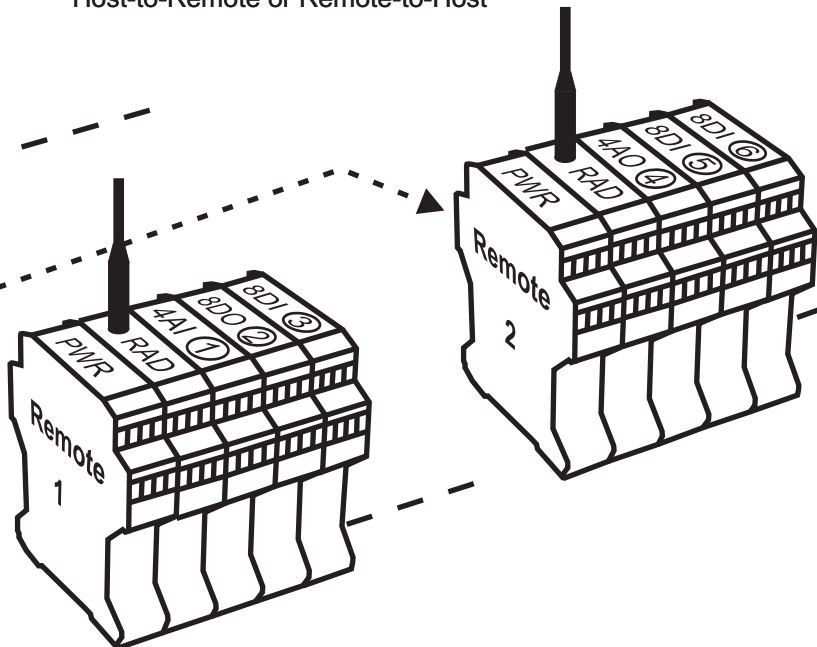
Top View:



System Example:



- Each Input module must have an Output module counterpart
- Each module pair uses the same module ID
- One host radio module can communicate with up to 99 remote radio modules
- Module pairs may be arranged to exchange signals either from Host-to-Remote or Remote-to-Host



Part No.	Description
MTS-RAD	Wireless Communication Interface
MTS-4DIO	4 Digital Inputs & 4 Digital Outputs
MTS-8DI	8 Digital Inputs
MTS-8DO	8 Digital Outputs
MTS-4AI	4 Analog Inputs
MTS-4AO	4 Analog Outputs
MTS-PWR	24VDC Power Module

Manufactured By:

Pribusin Inc.

www.pribusin.com
info@pribusin.com

USA:

Pribusin Inc.
 4319 E. Apple Ave.
 Muskegon, MI 49442
 Ph: (231) 788-2900
 Fx: (231) 788-2929



CANADA:

Pribusin Inc.
 101 Freshway Dr. Unit 57
 Concord, Ontario, L4K 1R9
 Ph: (905) 660-5336
 Fx: (905) 660-4068