

Pribusin Inc.

Manufacturers of Process
Controls and Instrumentation

Model: PWD-3.5-X

Powered LCD Display



Standard Features:

3 1/2 Large Digits
Standard Plastic Enclosure
Industry Standard Inputs
Display Range Field Adjustable
Field Adjustable Decimal Point
Powered from 117 VAC
24VDC Available to Power Field Transmitter
CSA and NRTL Approved

Function:

The PWD-3.5-X is a 3 1/2 digit LCD display that has a maximum range of 0000-1999. The zero and span point are fully field adjustable. The decimal point can be selected after any digit or left off completely. Using these two adjustments, almost all engineering units can be displayed easily on the display

The PWD-3.5-X is powered from standard line voltage and can provide up to 200mA at 24VDC to power field transmitters.

Specifications:

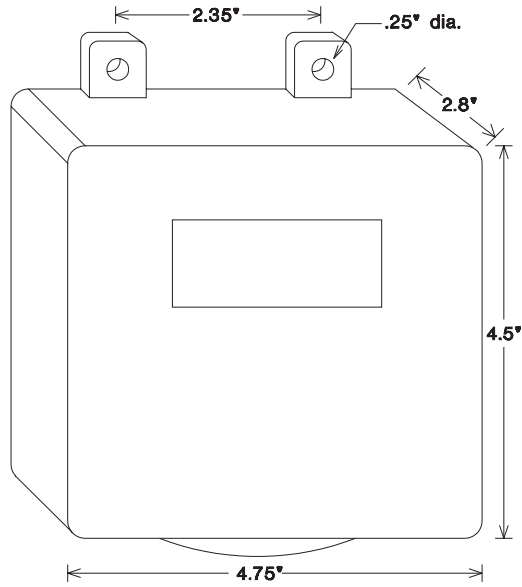
Range: 0000-1999 (Field Adjustable)
Input: Specified by 'X' (see below)
Decimal Point: Field Selectable
(1.999, 19.999, 199.9, 1999)
Power: 117 VAC, 6 VA
Operating Temperature: -10 Deg. C. to + 45 Deg. C.

Input Selection:

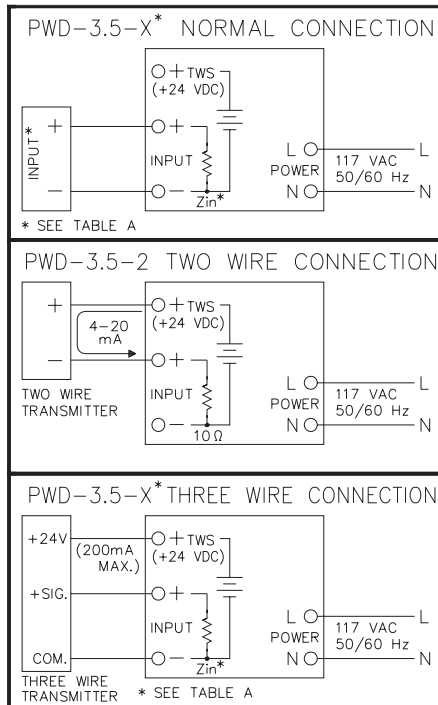
X=1: 1 to 5 mA (Zin=1K Ohm)
X=2: 4 to 20 mA (Zin=250 Ohm)
X=3: 0 to 1 mA (Zin=5K Ohm)
X=4: 10 to 50 mA (Zin=100 Ohm)
X=5: 1 to 5 VDC (Zin=1Meg Ohm)
X=6: 0 to 10 VDC (Zin=1Meg Ohm)
X=7: Special Input

PWD-3.5-X

Dimensions:



Connection:



Manufactured By:



www.pribusin.com
info@pribusin.com

USA:

Pribusin Inc.
 4319 E. Apple Ave.
 Muskegon, MI 49442
 Ph: (231) 788-2900
 Fx: (231) 788-2929



CANADA:

Pribusin Inc.
 101 Freshway Dr. Unit 57
 Concord, Ontario, L4K 1R9
 Ph: (905) 660-5336
 Fx: (905) 660-4068