



Standard Features:

Bi-directional Communication using GSM Cellular Network
Dial-Out Programmable for: Status/Setpoint Change, Incremental Signal Change and Timed Interval
Point-to-Point or Host-to-Multi-Point Operation
2 Dry Contact and 2 Analog Input
2 'C' Relay Contact and 2 Analog Output
Configurable to Initiate and/or Answer A Call
Easy Network Activation with SIM cards
No Calibration Required
Microprocessor Controlled for High Accuracy
Power: 117 VAC 50/60 Hz (Optional 24 VDC)
Built-in Overvoltage Protection on Telephone Line
High Noise Rejection

Function:

The RCI-200-GSM is a bi-directional cellular communication system that exchanges the status of 2 dry contact input and 2 analog input between a host and remote unit or a PC equipped with a modem. A basic system consists of A) one host station and one or more remote station(s) **OR** B) several remote stations and one PC with a modem.

In system A), the host unit can be set to interrogate the remote unit(s) periodically or when required. Remote units may also be configured to call the host when required. One host may operate several remote units.

In system B), a PC can call several remote units or alternately, remote units may call the PC when required

LabVIEW & Visual BASIC drivers are provided for user software development on PC's.

Connection:

Units are connected via a standard dial-up voice grade line. Regular J11 Phone Jacks make for easy installation. When connecting units on a PBX system make sure it can accept analog modem transmissions. Serial systems connect via standard modem cable.

Specifications:

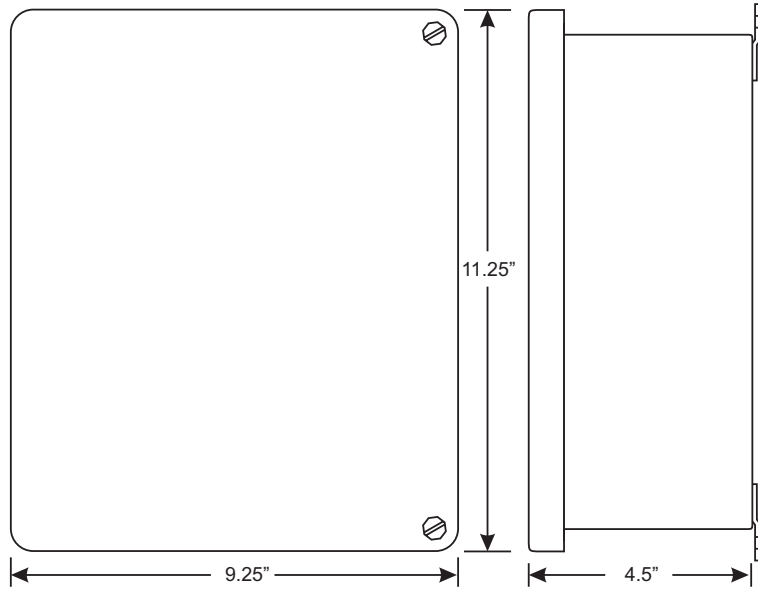
Transmission Medium: GSM Cellular Network
BAUD Rate: 9600 BAUD typ., 9600, 14.4K available
Operating Temperature: -20 Deg.C. to +50 Deg.C.
Relay Contacts: 10A 1/8Hp @ 125VAC
6A 1/8Hp @ 277VAC
Power: 117 VAC, 60/50 Hz
(24VDC Available)
Enclosure: NEMA4X (NEMA12 available as an option)

RCI-200-GSM

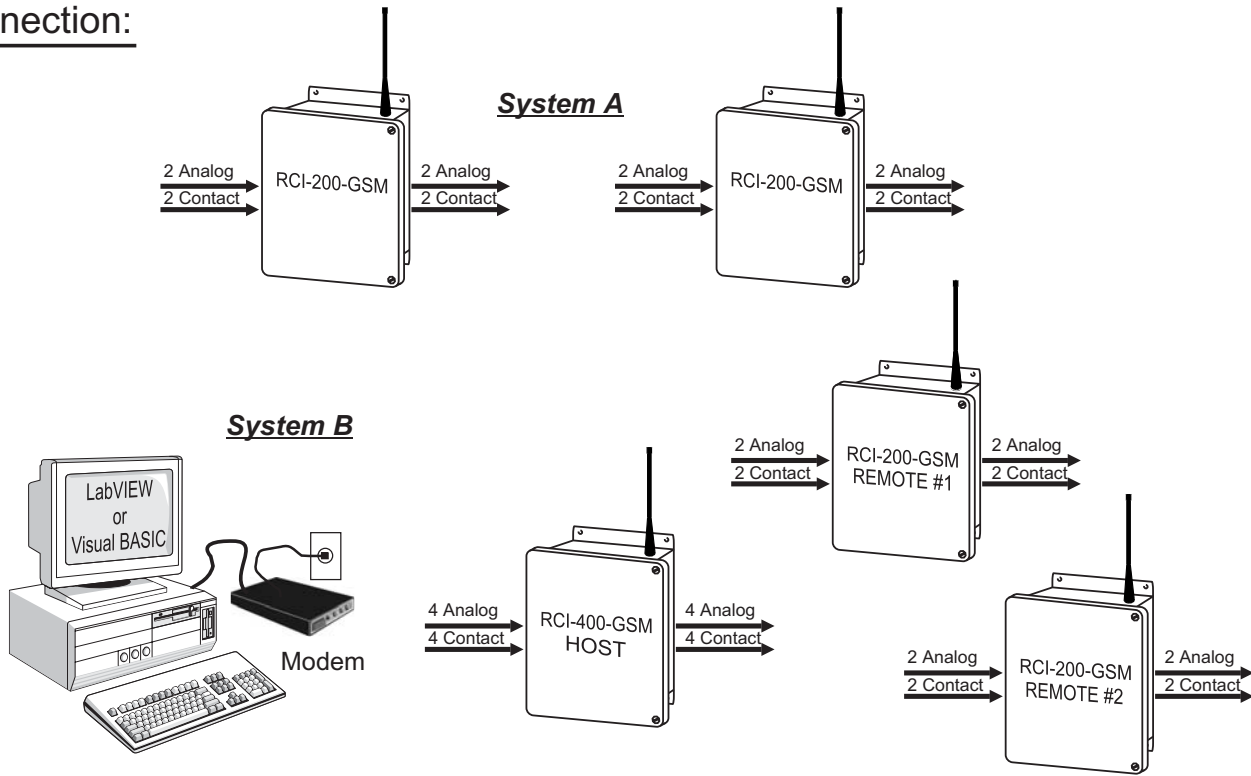
Enclosures & Dimensions:

Options: (Add letters to end of Model Number)

D - 8-Digit Scanning Display



Connection:



Manufactured By:

Pribusin Inc.

www.pribusin.com
info@pribusin.com

USA:

Pribusin Inc.
 3938 Trade Center Drive
 Ann Arbor, MI 48108-2072
 Ph: (734) 677-0459
 Fx: (734) 677-0861



CANADA:

Pribusin Inc.
 101 Freshway Dr. Unit 57
 Concord, Ontario, L4K 1R9
 Ph: (905) 660-5336
 Fx: (905) 660-4068