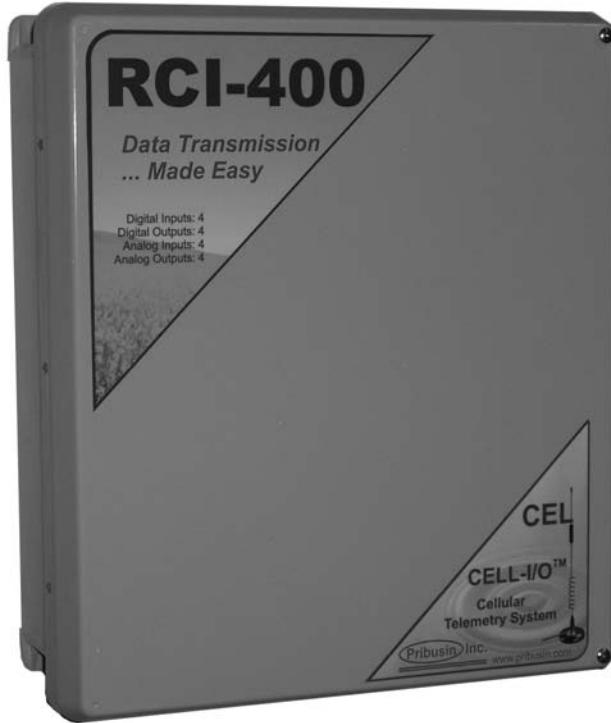


**Pribusin Inc.**

Manufacturers of Process  
Controls and Instrumentation

**Model: RCI-400-CEL**

**Cellular Remote Control Signal Interface**



### Standard Features:

Bi-directional Communication using Cellular Network  
Link-up Programmable for: Status/Setpoint Change, Incremental Signal Change and Timed Interval  
Point-to-Point or Host-to-Multi-Point Operation  
4 Dry Contacts and 4 Analog Inputs  
4 'C' Relay Contacts and 4 Analog Outputs  
Easy Network Activation with SIM cards  
No Calibration Required  
Microprocessor Controlled for High Accuracy  
Power: 117 VAC 50/60 Hz (Optional 24 VDC)  
Built-in Overvoltage Protection on Telephone Line  
High Noise Rejection

### Function:

The RCI-400-CEL is a bi-directional cellular communication system that exchanges the status of 4 dry contact inputs and 4 analog inputs between a host and remote unit or a host unit and several remote units. A basic system consists of one host station and one or more remote stations.

In system A), the host unit can be set to interrogate the remote unit periodically or when required based on an input change.

In system B), the host unit can be set to interrogate multiple remote units periodically or when required based on an input change.

### Connection:

Units require an active cellular connection and must be provisioned with a local cellular service provider. Pribusin Inc. offers a list of approved providers to ensure ease of deployment.

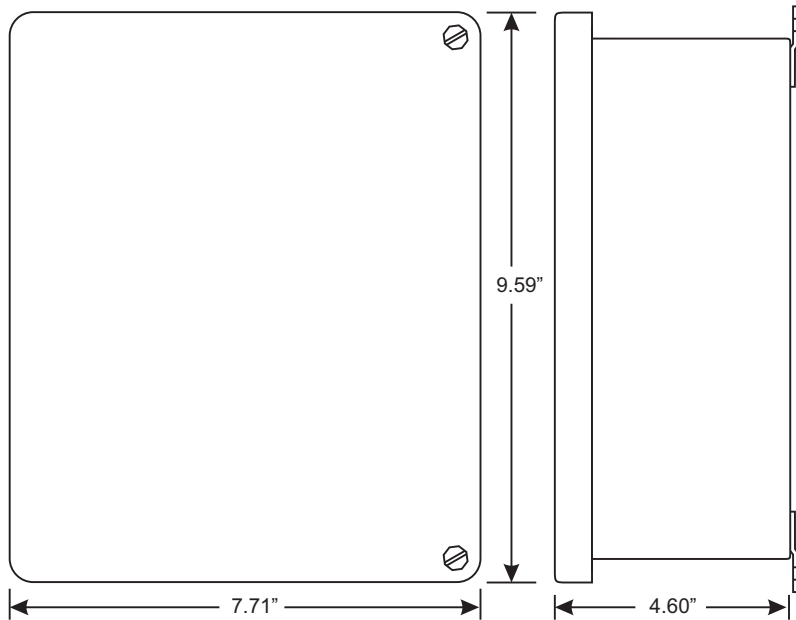
### Specifications:

Transmission Medium: GPRS or CDMA Cellular Network  
BAUD Rate: 115200 BAUD  
Operating Temperature: -20 Deg.C. to +50 Deg.C.  
Relay Contacts: 10A 1/8Hp @ 125VAC  
6A 1/8Hp @ 277VAC  
Power: 117 VAC, 60/50 Hz  
(24VDC Available)  
Enclosure: NEMA4X (NEMA12 available as an option)  
Approvals: ETL 3118354:  
UL 60950-1-2007; CSA-C22.2 No. 60950-1-07

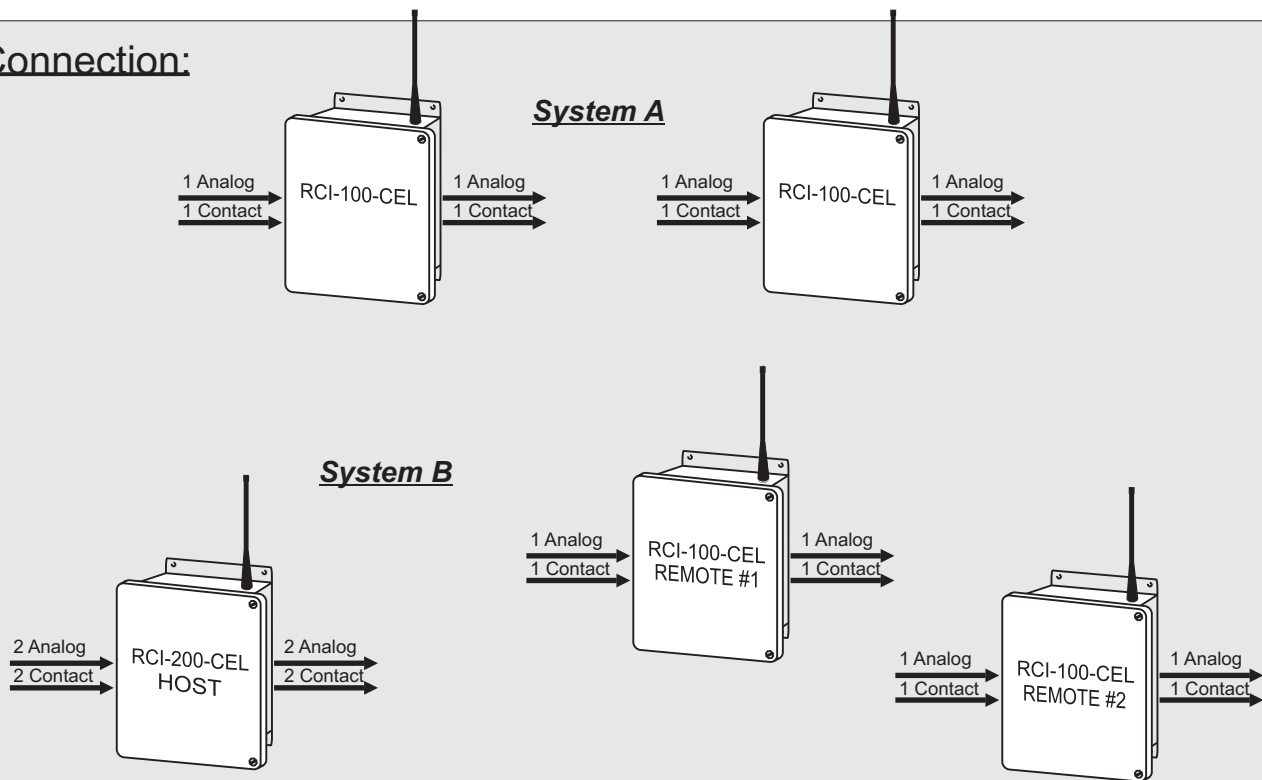
# RCI-400-CEL

## Enclosures & Dimensions:

**Options:** (Add letters to end of Model Number)



## Connection:



Manufactured By:

**Pribusin Inc.**

[www.pribusin.com](http://www.pribusin.com)  
[info@pribusin.com](mailto:info@pribusin.com)

### USA:

Pribusin Inc.  
 743 Marquette Ave.  
 Muskegon, MI 49442  
 Ph: (231) 788-2900  
 Fx: (231) 788-2929



### CANADA:

Pribusin Inc.  
 101 Freshway Dr. Unit 57  
 Concord, Ontario, L4K 1R9  
 Ph: (905) 660-5336  
 Fx: (905) 660-4068