



Standard Features:

Bi-directional Communication using a Phone Line
Uses MODBUS Protocol for Reliable Data Transfer
4 Dry Contacts and 4 Analog Inputs
4 'C' Relay Contacts and 4 Analog Outputs
Uses Analog Half-Duplex Leased Telephone Line
No Calibration Required
Microprocessor Controlled for High Accuracy
Power: 117 VAC 50/60 Hz (Optional 24 VDC)
Built-in Overvoltage Protection on Telephone Line
High Noise Rejection



Function:

The RCI-400-FSK is a bi-directional remote communication system that exchanges the status of 4 dry contact inputs and 4 analog inputs between a master and remote unit. Both the master and remote unit have inputs and outputs to allow remote monitoring and remote control.

Since the master and remote units are connected via leased telephone line, and hence are 'always-on', a change in signal at one end is transmitted to the other end with very little delay. This makes this unit ideal for real-time monitoring of remote tanks, pumps, etc.

The bi-directional operation allows for control signals to be sent back to the remote site to take action based on the incoming monitored signal.

This unit may also be used as a remote unit in a multi-remote system where the master is a multi-channel device such as the RCI-800.

Connection:

Units are connected via a class 'C' line (Dial-up or leased). Regular J11 Phone Jacks make for easy installation. When connecting units on a PBX system make sure it can accept analog modem transmissions. Serial systems connect via standard modem cable.

Specifications:

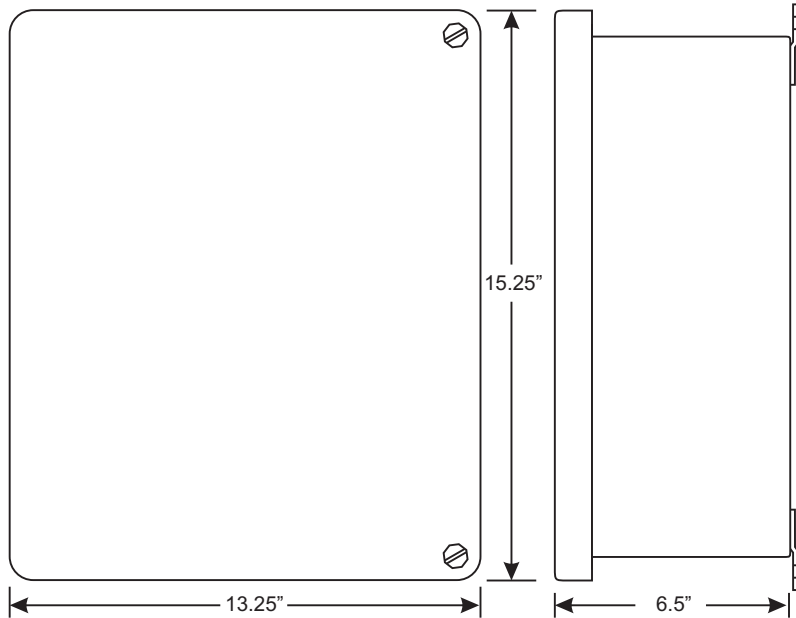
Transmission Medium: Analog Phone Line, Half-Duplex
BAUD Rate: 2400 BAUD
Transmission Output: -6dB max., -8dB typ.
Operating Temperature: -20 Deg.C. to +50 Deg.C.
Relay Contacts: 10A 1/8Hp @ 125VAC
6A 1/8Hp @ 277VAC
Power: 117 VAC, 60/50 Hz
(24VDC Available)
Enclosure: NEMA4X (NEMA12 available as an option)
Approvals: ETL 3118354:
UL 60950-1-2007; CSA-C22.2 No. 60950-1-07

RCI-400-FSK

Enclosures & Dimensions:

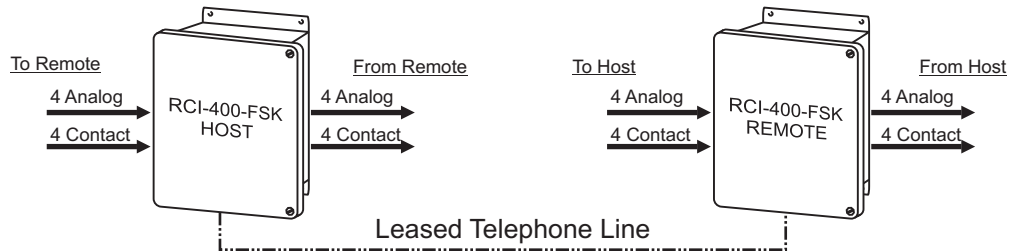
Options: (Add letters to end of Model Number)

D - 8-Digit Scanning Display



Connection:

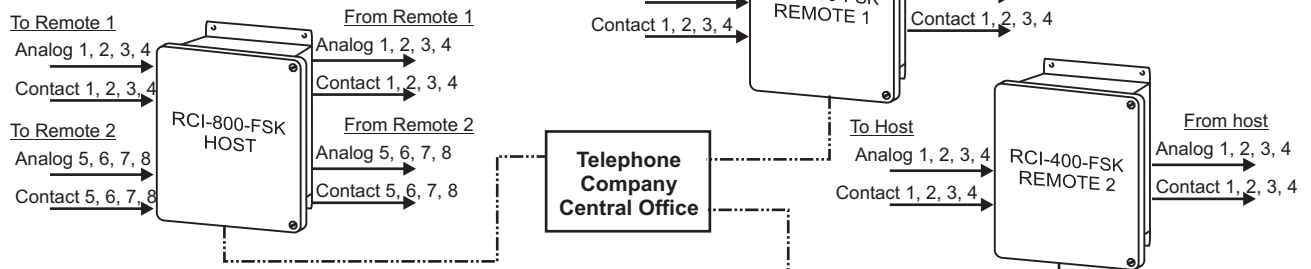
1. Point-to-Point System: 2 RCI-400-FSK Units



2. Host-to-Multi-Remote System:

- 1 RCI-800-FSK Host
- 2 RCI-400-FSK Remotes

This configuration provides **four** bi-directional analog and contact signal between one host unit and two remote units.



Manufactured By:

Pribusin Inc.

www.pribusin.com
info@pribusin.com

USA:

Pribusin Inc.
4319 E. Apple Ave.
Muskegon, MI 49442
Ph: (231) 788-2900
Fx: (231) 788-2929



CANADA:

Pribusin Inc.
101 Freshway Dr. Unit 57
Concord, Ontario, L4K 1R9
Ph: (905) 660-5336
Fx: (905) 660-4068