



### Standard Features:

- Bi-directional Communication using Phone Line
- Dial-Out Programmable for: Status/Setpoint Change, Incremental Signal Change and Timed Interval
- Point-to-Point or Host-to-Multi-Point Operation
- 4 Dry Contact and 4 Analog Inputs
- 4 'C' Relay Contacts and 4 Analog Outputs
- Configurable to Initiate and/or Answer A Call
- Uses Standard Voice Telephone Line
- No Calibration Required
- Microprocessor Controlled for High Accuracy
- Power: 117 VAC 50/60 Hz (Optional 24 VDC)
- Built-in Overvoltage Protection on Telephone Line
- High Noise Rejection

### Function:

The RCI-400-MDM is a bi-directional dial-up communication system that exchanges the status of 4 dry contact inputs and 4 analog inputs between a host and remote unit or a PC equipped with a modem. A basic system consists of A) one host station and one or more remote station(s) **OR** B) several remote stations and one PC with a modem.

In system A), the host unit can be set to interrogate the remote unit(s) periodically or when required. Remote units may also be configured to call the host when required. One host may operate several remote units.

In system B), a PC can call several remote units or alternately, remote units may call the PC when required

LabVIEW & Visual BASIC drivers are provided for user software development on PC's.

### Connection:

Units are connected via a standard dial-up voice grade line. Regular J11 Phone Jacks make for easy installation. When connecting units on a PBX system make sure it can accept analog modem transmissions. Serial systems connect via standard modem cable.

### Specifications:

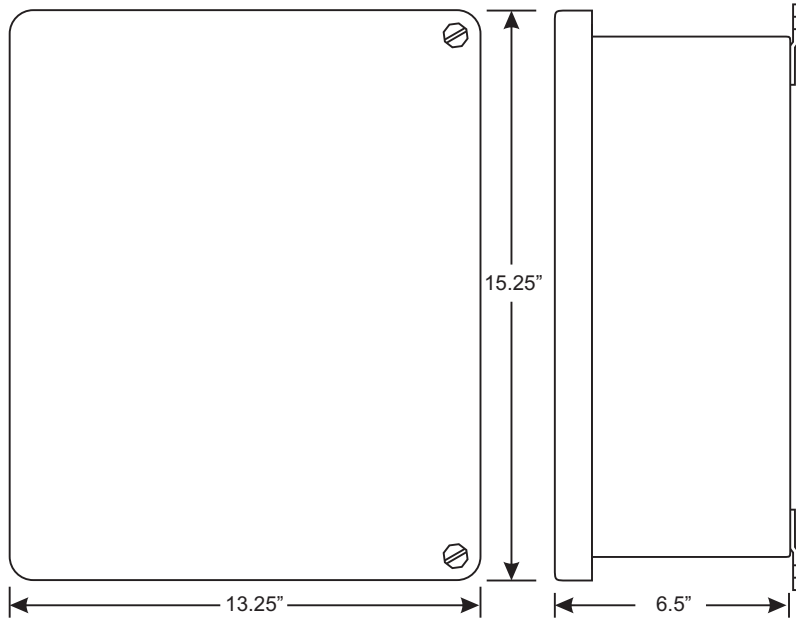
Transmission Medium: Analog Voice Grade Phone Line  
BAUD Rate: 2400 BAUD typ., 9600, 14.4K available  
Operating Temperature: -20 Deg.C. to +50 Deg.C.  
Relay Contacts: 10A 1/8Hp @ 125VAC  
6A 1/8Hp @ 277VAC  
Power: 117 VAC, 60/50 Hz  
(24VDC Available)  
Enclosure: NEMA4X (NEMA12 available as an option)  
Approvals: ETL 3118354;  
UL 60950-1-2007; CSA-C22.2 No. 60950-1-07

# RCI-400-MDM

## Enclosures & Dimensions:

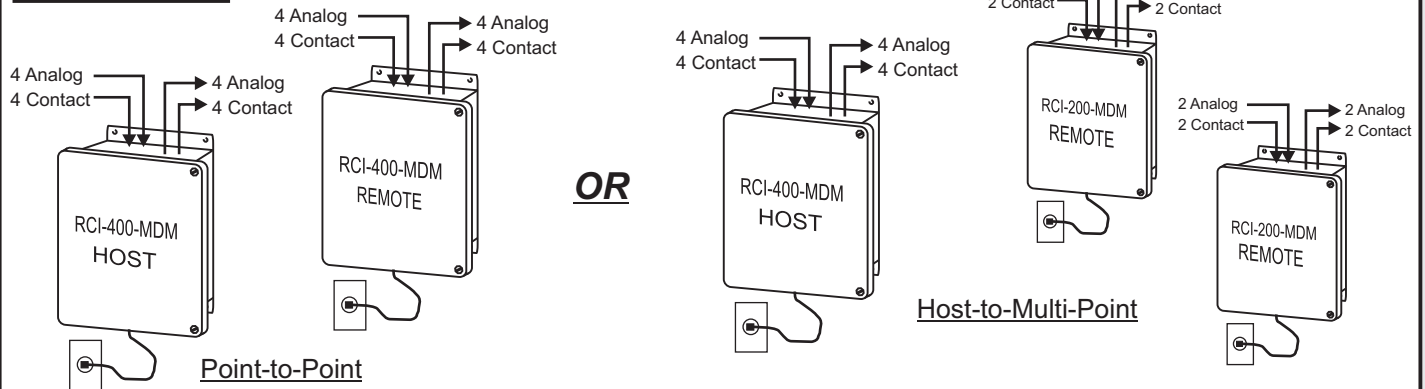
**Options:** (Add letters to end of Model Number)

D - 8-Digit Scanning Display

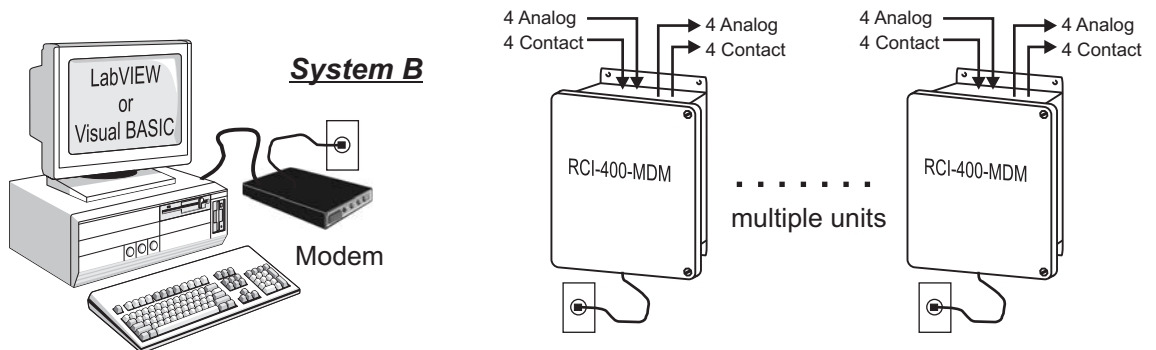


## Connection:

### System A



### System B



Manufactured By:

**Pribusin Inc.**

www.pribusin.com  
info@pribusin.com

#### USA:

Pribusin Inc.  
4319 E. Apple Ave.  
Muskegon, MI 49442  
Ph: (231) 788-2900  
Fx: (231) 788-2929



#### CANADA:

Pribusin Inc.  
101 Freshway Dr. Unit 57  
Concord, Ontario, L4K 1R9  
Ph: (905) 660-5336  
Fx: (905) 660-4068