

## Remote Control Signal Interface With 900MHz Radio Frequency Link



### Function:

The RCI-400-RF9 is a bi-directional data communication system that exchanges the status of 4 dry contact inputs and 4 analog inputs between a master and one or more remote units. A basic system consists of one master station and one remote station each with 4 dry contact and 4 analog inputs and 4 'C' relay contact and analog outputs. All signals are bi-directional so that data may be read from the remote station and sent to it.

The license-free spread-spectrum radio technology allows small systems to be set up with very little effort and at low cost. The technology ensures high communication reliability even in RF-intensive environments.

All units are sold with a ¼ wave omnidirectional whip antenna. Other antennas, such as directional Yagi or Patch antennas, are sold separately.

### Standard Features:

Bi-directional Communication using License-free 900MHz Radio Band

Spread-Spectrum Radio Technology Provides Reliable Communication

Re-Transmission & Error Correction Algorithms ensure Accurate Data Transmission

4 Dry Contact and 4 Analog Inputs

4 'C' Relay Contacts and 4 Analog Outputs

Point-to-Point or Host-to-Multipoint Topologies

No Calibration Required

Microprocessor Controlled for High Accuracy

Power: 117 VAC 50/60 Hz (Optional 24 VDC)

High Noise Rejection



### Options:

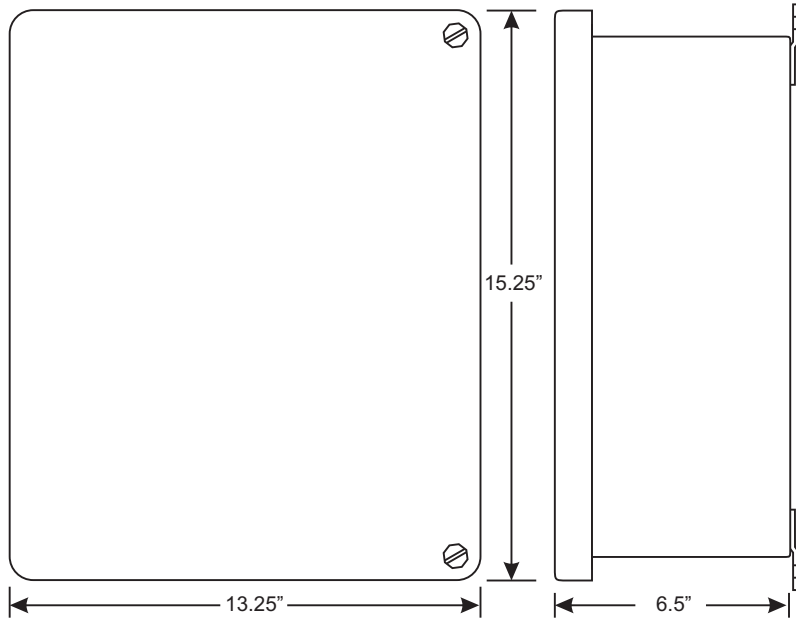
- A: 24VDC Power
- B: 240VAC Power
- N12: NEMA 12 Enclosure

### Specifications:

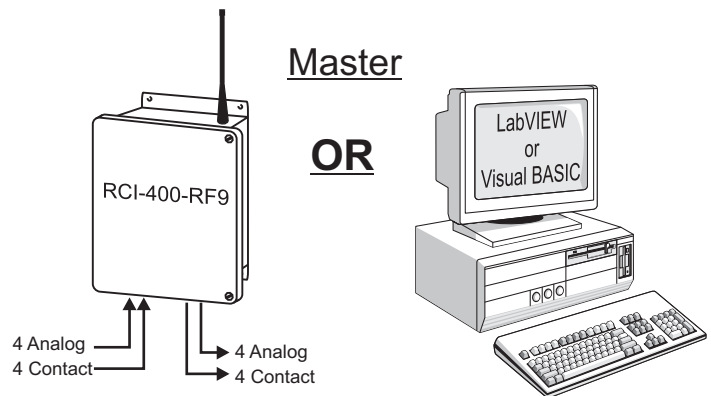
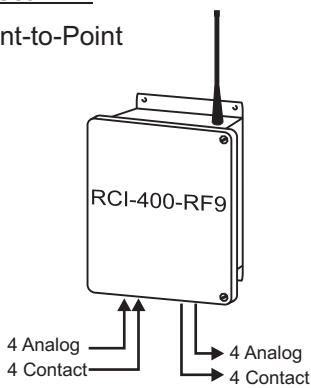
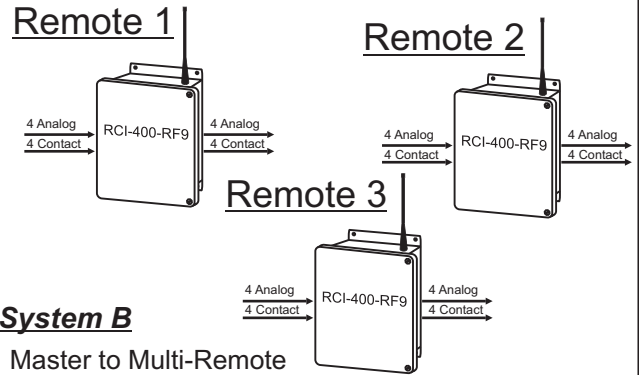
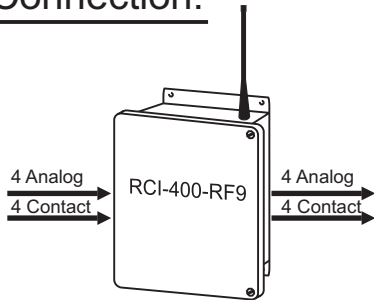
Media: 900MHz Spread-Spectrum Radio  
Range: up to 1500ft indoors with omnidirectional antenna  
up to 12 miles line-of-sight with directional antenna  
Protocol: MODBUS ASCII, 9600 BAUD  
RF Connector: N-Female (Bottom of Enclosure)  
Radio Power Output: 100mW, 1W (selectable)  
Operating Temperature: -4°F to +140°F (-20°C to +60°C)  
Relay Contacts: 10A 1/8Hp @ 125VAC  
6A 1/8Hp @ 277VAC  
Power: 117 VAC, 60/50 Hz, 24VDC Available  
Enclosure: NEMA4X (NEMA12 available as an option)  
Approvals: ETL 3118354:  
UL 60950-1-2007; CSA-C22.2 No. 60950-1-07

# RCI-400-RF9

## Enclosures & Dimensions:



## Connection:



## Manufactured By:



[www.pribusin.com](http://www.pribusin.com)  
[info@pribusin.com](mailto:info@pribusin.com)

### USA:

Pribusin Inc.  
4319 E. Apple Ave.  
Muskegon, MI 49442  
Ph: (231) 788-2900  
Fx: (231) 788-2929



### CANADA:

Pribusin Inc.  
101 Freshway Dr. Unit 57  
Concord, Ontario, L4K 1R9  
Ph: (905) 660-5336  
Fx: (905) 660-4068