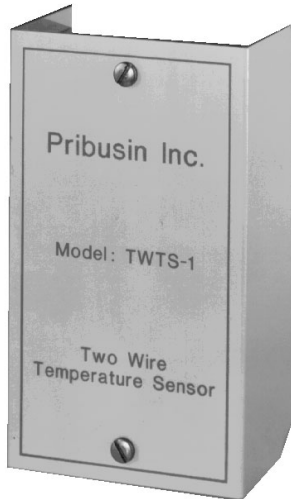


Pribusin Inc.

Manufacturers of Process
Controls and Instrumentation

Model: TWTS-X

Two Wire Temperature Transmitter



Standard Features:

Easily mounts on Single Outlet Box
Standard Metal Enclosure
Industry Standard 4-20 mA Output
Built-in Sensor
Fully Loop Powered

Function:

The TWTS-X is an ambient air temperature transmitter that easily mounts on any standard electrical outlet box. The enclosure is made of 20 gage steel and is painted beige. The enclosure has vents at the top and bottom to allow the sensor to measure the surrounding air.

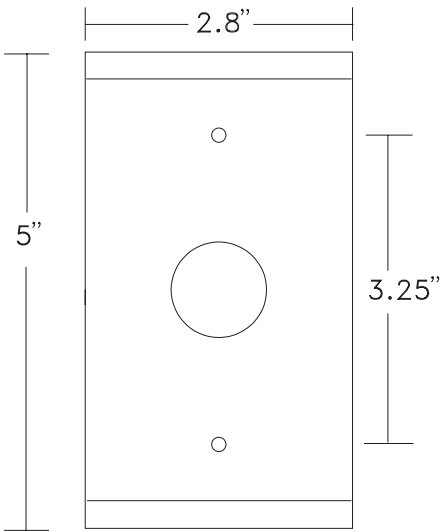
The TWTS-X provides a 4-20 mA loop-powered control signal for a 0-100% temperature presence.

Specifications:

Range: 0-200 Deg.C max.
Output: 4-20 mA
Power: Loop Powered
Accuracy: +/- 1 Deg.C or +/- 2 Deg.F

TWTS-X

Dimensions:



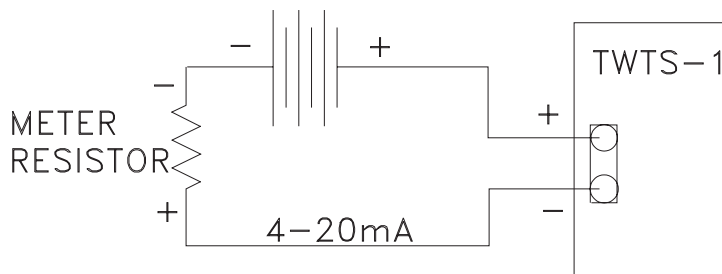
Temperature Ranges:

TWTS-X

Input

- 1: 0 to +100 Deg.C
- 2: -50 to +100 Deg.C
- 3: 0 to +50 Deg.C
- 4: -10 to +50 Deg.C
- 5: 0 to +150 Deg.F
- 6: -40 to +120 Deg.F
- 7: Special

Connection:



Manufactured By:

Pribusin Inc.

www.pribusin.com
info@pribusin.com

USA:

Pribusin Inc.
4319 E. Apple Ave.
Muskegon, MI 49442
Ph: (231) 788-2900
Fx: (231) 788-2929



CANADA:

Pribusin Inc.
101 Freshway Dr. Unit 57
Concord, Ontario, L4K 1R9
Ph: (905) 660-5336
Fx: (905) 660-4068