

Pribusin Inc.

Manufacturers of Process
Controls and Instrumentation

Model: XUA-XD

Explosion-Proof Universal Alarm



Standard features:

Class I Gr. B, C & D; Class II Gr. E, F & G
Small Size - Mounts directly on Conduit
Single or Dual Channel Operating Modes
3 Form "C" Contacts
Easily Adjustable Setpoint and Deadband
High-Trip or Low-Trip Operation
Normally Energized or De-Energized Relay Mode
Easy Field Calibration (Typ. calibration time < 2 min. using handheld meter only)
Microprocessor Controlled for High Accuracy
Power: 24 VDC, 60 mA
High Noise Rejection

Function:

The XUA-XD Alarm Trip is a microprocessor based instrument. It has a single or dual channel mode of operation. It can be configured as a high trip or as a low trip (selectable by push-on pins inside the instrument). The relays can be configured as a normally-energized or normally de-energized. The output is 3 SPDT (form "C") contacts rated at 0.4 Amps, at 125 VAC. The 3rd relay is used as an input fail (below 2mA) in the case of 4-20mA inputs.

The deadband can be adjusted from 0-100%. The delay is selectable as 0 or 5 minutes ON delay.

Calibration:

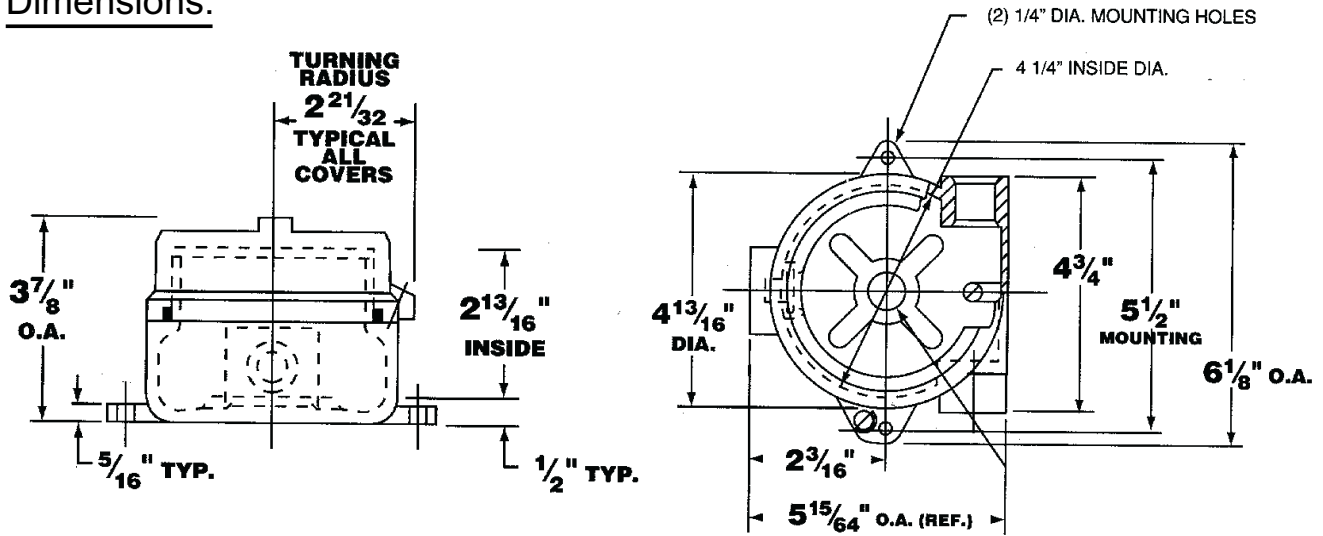
The TPz (Test Points) are used to calibrate the setpoint and deadband functions of the XUA-XD. A voltage of 0-5 VDC on TPz represents a setting of 0-100% of the parameter z. Any parameter can be changed while the XUA-XD is in operation thus making it easy to perform field adjustments.

Input Selection:

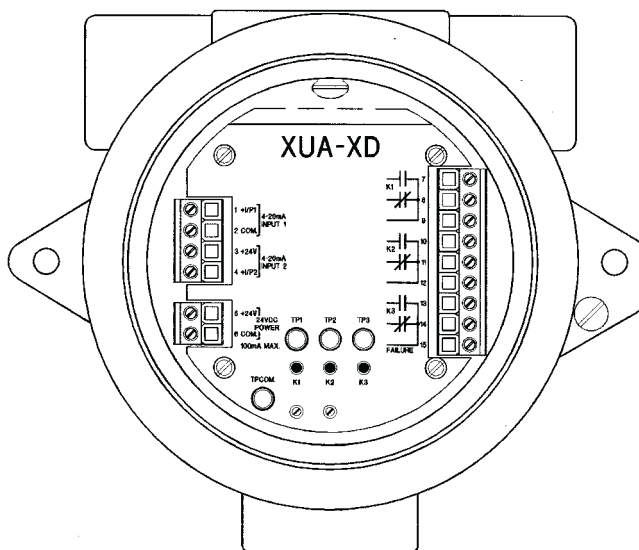
X=1: 1 to 5 mA (Zin=1K Ohm)
X=2: 4 to 20 mA (Zin=250 Ohm)
X=3: 0 to 1 mA (Zin=5K Ohm)
X=4: 10 to 50 mA (Zin=100 Ohm)
X=5: 1 to 5 VDC (Zin=1Meg Ohm)
X=6: 0 to 10 VDC (Zin=1Meg Ohm)
X=7: Special Input

XUA-XD

Dimensions:



Connection:



Configuration:

	OUT	IN
H1	High Trip	Low Trip
H2	Energized	De-Energ.
H3	No Delay	ON Delay
H4	Single	Dual

The above table shows the jumper configuration for the XUA-XD.

Specifications:

Accuracy/Linearity: +/-0.3% max., +/-0.1% typ.
 Operating Temperature: -40 Deg.C to +50 Deg.C
 Contact Rating: 0.4A @ 125 VAC

Manufactured By:



www.pribusin.com
info@pribusin.com

USA:

Pribusin Inc.
 3938 Trade Center Drive
 Ann Arbor, MI 48108-2072
 Ph: (734) 677-0459
 Fx: (734) 677-0861



CANADA:

Pribusin Inc.
 101 Freshway Dr. Unit 57
 Concord, Ontario, L4K 1R9
 Ph: (905) 660-5336
 Fx: (905) 660-4068