

### Function:

The MTS-4AI is a 4 channel analog input module. It provides analog input capability for an MTS series telemetry system. The MTS-4AI communicates with its counterpart, the MTS-4AO analog output module.

Inputs can be wired to be sinking or sourcing depending on the 4-20mA signal source. 24VDC is also available on the input terminals for 3- and 4-wire connections. Input resolution is 16-bits for high accuracy.

Deployment and installation is as simple as plugging the needed I/O modules into the communications module and assigning unique module ID's. Power and communication for the modules are provided through an integral bus.

### Standard Features:

- 4 Analog Inputs (4-20mA)
- 2-Wire Sinking or Sourcing Inputs
- 24V Power Supply Output for 3- & 4- Wire Inputs
- Integrated Power & Data Bus Reduces Wiring
- Modular Design Provides Maximum Flexibility
- No Programming Required - Easy to Configure
- Microprocessor Controlled for High Accuracy
- Power: 24 VDC (From Integrated Bus)
- Easy Future Expansion

### Configuration:

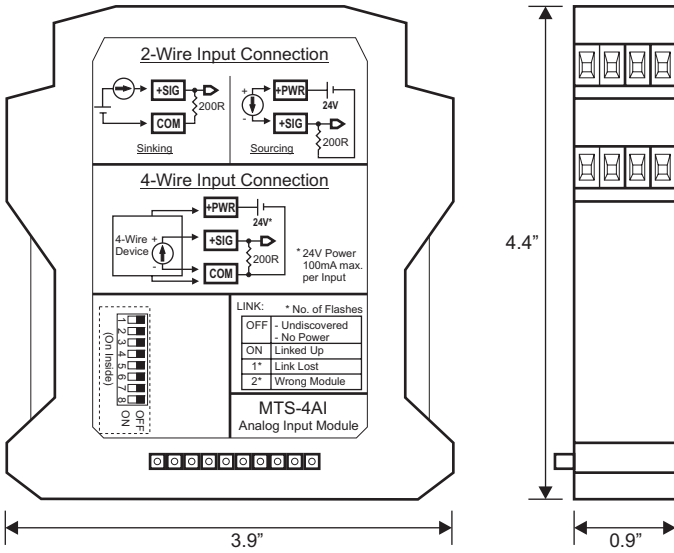
The MTS-4AI input module must be paired up with the MTS-4AO output module. Both modules must be set to the same ID with the ID Selector Switches. Each input can be wired as either sinking or sourcing type.

### Specifications:

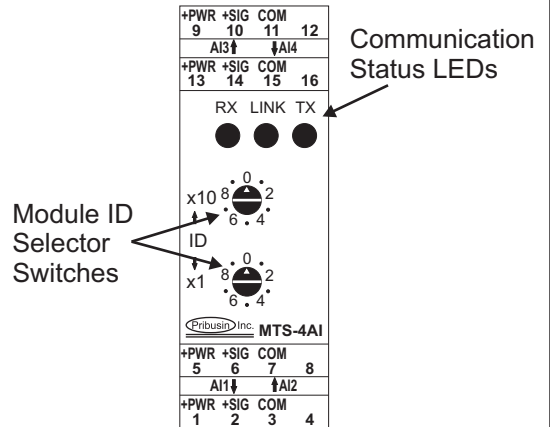
- Inputs: 4-20mA sinking (200 ohm load)
- 4-20mA sourcing (max. 20mA)
- 3- & 4-Wire (24VDC @ 100mA max.)
- Power Consumption: TBD
- Input Impedance: 200 ohms
- Reverse Polarity Protection: Yes

# MTS-4AI

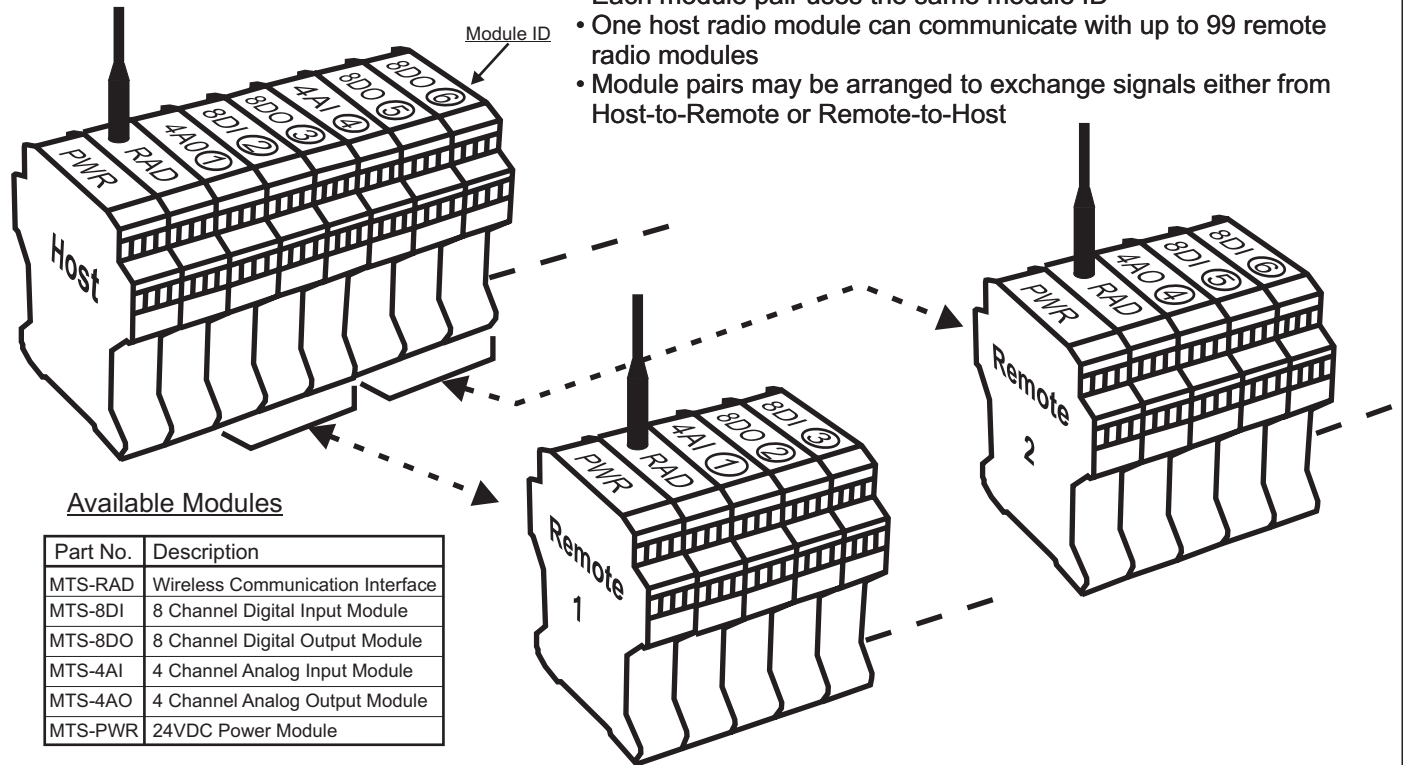
## Module Dimensions:



## Top View:



## System Example:



## Manufactured By:

**Pribusin Inc.**

[www.pribusin.com](http://www.pribusin.com)  
[info@pribusin.com](mailto:info@pribusin.com)

### USA:

Pribusin Inc.  
3938 Trade Center Drive  
Ann Arbor, MI 48108-2072  
Ph: (734) 677-0459  
Fx: (734) 677-0861



### CANADA:

Pribusin Inc.  
101 Freshway Dr. Unit 57  
Concord, Ontario, L4K 1R9  
Ph: (905) 660-5336  
Fx: (905) 660-4068