



Function:

The MTS-4AO is a 4 channel analog output module. It provides analog output capability for an MTS series telemetry system. The MTS-4AO communicates with its counterpart, the MTS-4AI analog output module.

Outputs are isolated from each other to provide added protection and to prevent ground loops. Output resolution is 16-bits for high accuracy.

Outputs can be wired to be sinking or sourcing depending on the 4-20mA signal source.

Deployment and installation is as simple as plugging the needed I/O modules into the communications module and assigning unique module ID's. Power and communication for the modules are provided through an integral bus.

Standard Features:

4 Analog Outputs (4-20mA)

Outputs are Isolated to 1.5kV

24V Power Supply Output for Sourcing 4-20mA

Integrated Power & Data Bus Reduces Wiring

Modular Design Provides Maximum Flexibility

No Programming Required - Easy to Configure

Microprocessor Controlled for High Accuracy

Power: 24 VDC (From Integrated Bus)

Easy Future Expansion

Configuration:

The MTS-4AO input module must be paired up with the MTS-4AI output module. Both modules must be set to the same ID with the ID Selector Switches. Each output can be wired as either sinking or sourcing type.

Specifications:

Outputs: 4-20mA sinking

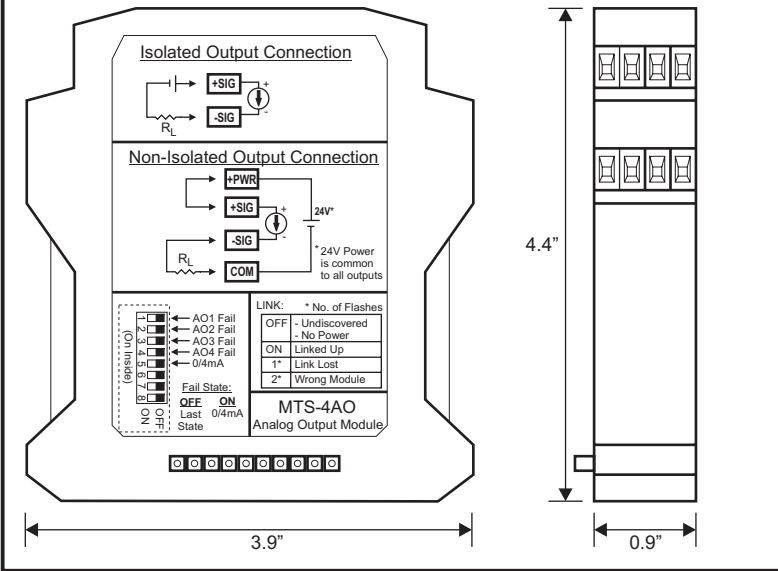
4-20mA sourcing (max. 20mA)

Power Consumption: TBD

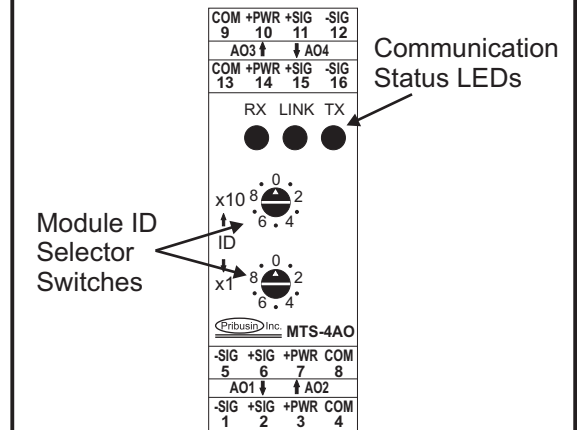
Isolation: 1.5kV, Optically Isolated

MTS-4AO

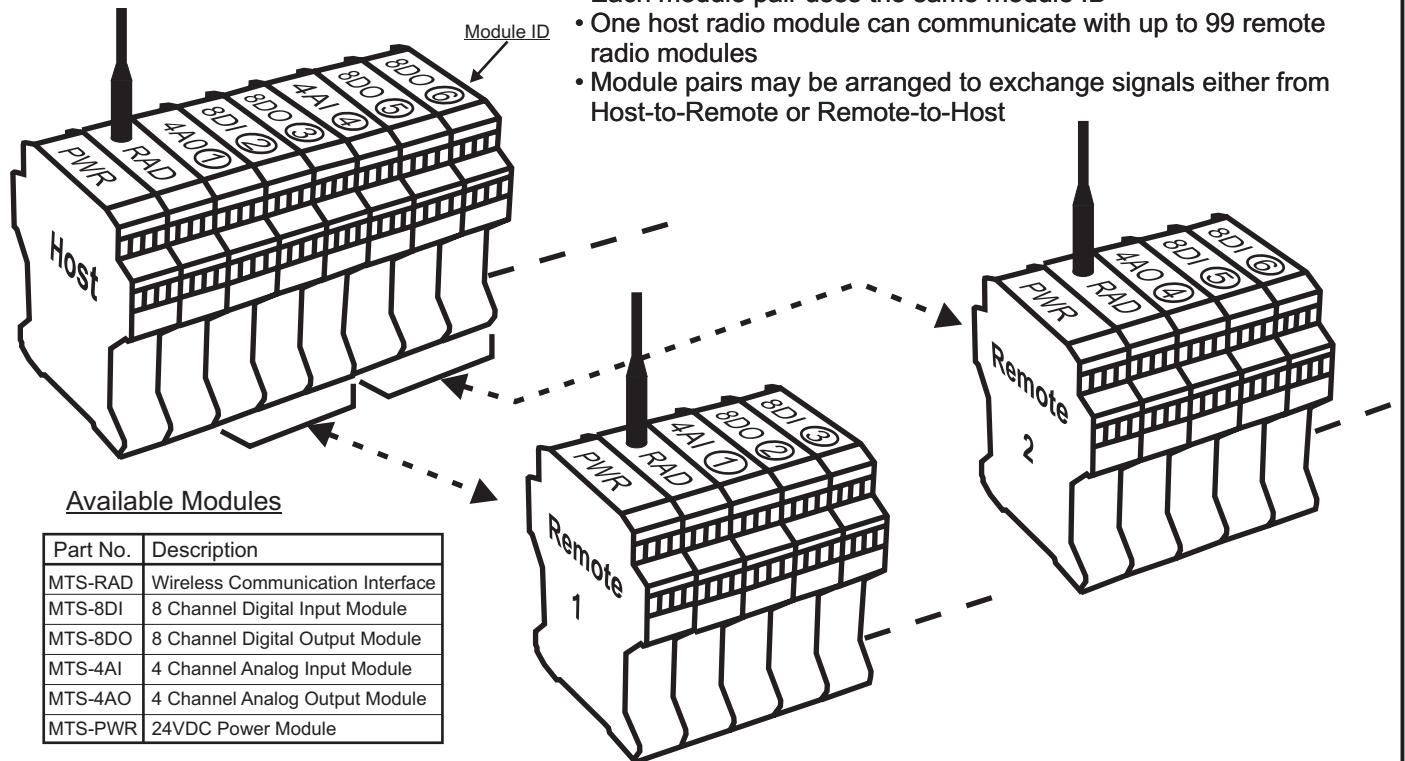
Module Dimensions:



Top View:



System Example:



Manufactured By:



www.pribusin.com
 info@pribusin.com

USA:

Pribusin Inc.
 3938 Trade Center Drive
 Ann Arbor, MI 48108-2072
 Ph: (734) 677-0459
 Fx: (734) 677-0861



CANADA:

Pribusin Inc.
 101 Freshway Dr. Unit 57
 Concord, Ontario, L4K 1R9
 Ph: (905) 660-5336
 Fx: (905) 660-4068